

PNEUMATIC VALVES

SERIES 76

Pneumatic Power Valves

• SOLENOID VALVES •

• MECHANICAL VALVES •

• PNEUMATICAL VALVES •

• PLASTIC VALVES •

• NAMUR •

• ISO VALVES •

• PILOT VALVES •

• FOOT-OPERATED VALVES •

• ATEX & VACUUM VALVES •

• COILS •

• PLUG-IN & SOCKETS •

The components illustrated and described in the present catalogue are sold under the trademark BSG Kuhnke Solutions.

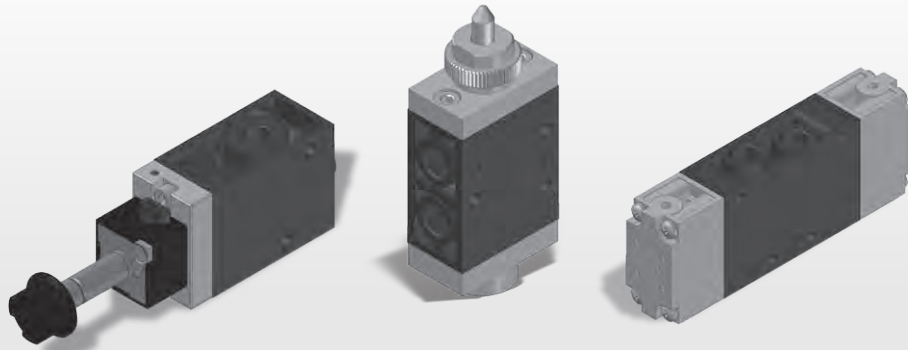
BSG Kuhnke Solutions reserves the right to modify the dimensions or technical characteristics of any of its products contained within this catalogue without prior notice. The products included in this catalogue should only be used in applications for which they were originally intended and should only be used by personnel with adequate technical knowledge. Please note that the misuse of this product could cause serious injury. The user should ensure that the product is installed and operated within the operating characteristics shown and that this complies with any health and safety requirements, however should you require any further information please do not hesitate to contact our technical office.

BSG Kuhnke Solutions accepts no liability for damage or injury arising from the error, misuse or omission in the data provided. BSG Kuhnke Solutions accepts no liability from third parties in the form of consequential losses. It is the responsibility and duty of the client/user to ensure that all operating requirements are carried out and that the products are used safely. The application is always under the responsibility of the client/user.

PNEUMATIC POWER VALVES

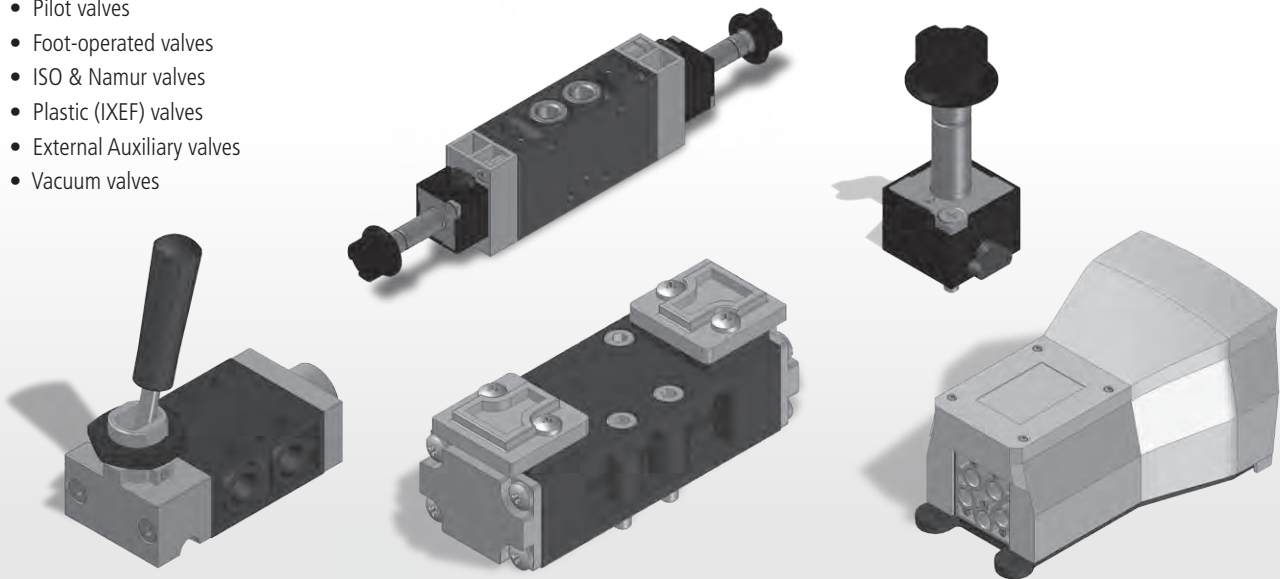
General information

The 76 series valves: a range of excellent power valves including electrical, mechanical and pneumatic options, suitable for single or modular use. G1/8 to G1/2 ports.

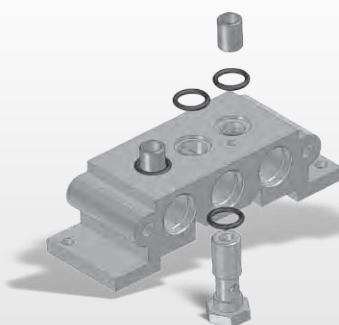


The 76 series valves range includes:

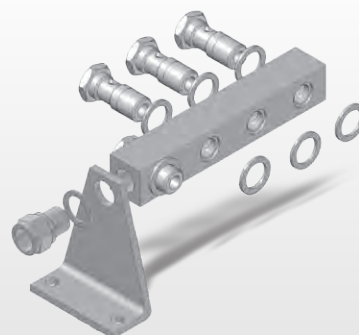
- Pilot valves
- Foot-operated valves
- ISO & Namur valves
- Plastic (IXEF) valves
- External Auxiliary valves
- Vacuum valves



Modular assembly with maximum flexibility



Common input manifold



SOLENOID VALVES

General information

Function	Section	Pressure range	Pressure connection (nominal orifice)	Ambient temperature range
3/2-way Poppet Valves (2/2-way function is possible upon request)	A	2.5 - 10 bar	G 1/8 (6 mm) G 1/4 (8 mm) G 1/2 (15 mm)	-15 °C +50 °C
5/2-way Poppet Valves	B	2.5 - 10 bar	G 1/8 (6 mm) G 1/4 (8 mm) G 1/2 (15 mm)	
5/2-way Spool Valves 5/3-way Spool Valves	C	2.5 - 10 bar	G 1/8 (6 mm) G 1/4 (8 mm)	
Monostable Flip-Flop Oscillator Vacuum Valves External Auxiliary Valves	D	2.5 - 10 bar	G 1/8 (6 mm) G 1/4 (8 mm) G 1/2 (15 mm)	

Electrical connections: Coil with 3 spade connectors (6.3 x 0.8 DIN 46247) + plug in socket (order both separately)

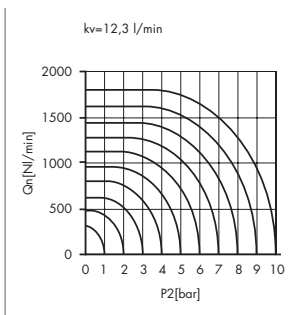
Housing: Die-cast and varnished aluminium alloy

Seals: NBR

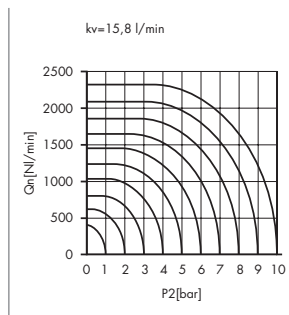
Earthing contact: Part of the standard device

Mounting: Any position

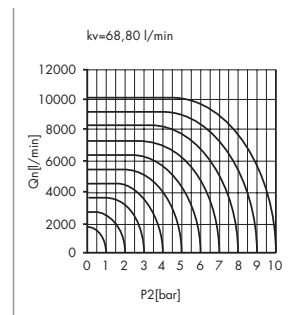
Operating medium: 5 micron filtered, lubricated (or not) compressed air; also suitable for other media conforming to ISO-VG 10



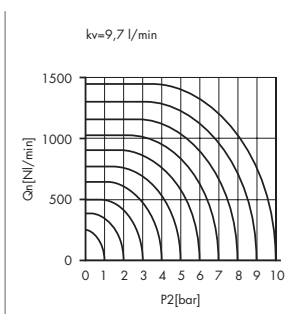
Poppet Valves
Orifice 6 mm



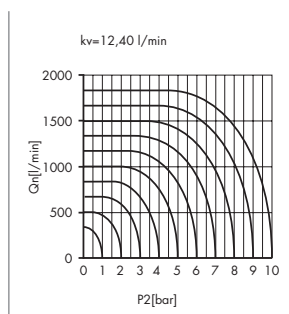
Poppet Valves
Orifice 8 mm



Poppet Valves
Orifice 15 mm



Spool Valves
Orifice 6 mm



Spool Valves
Orifice 8 mm

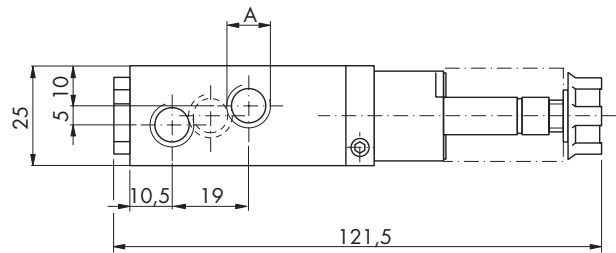
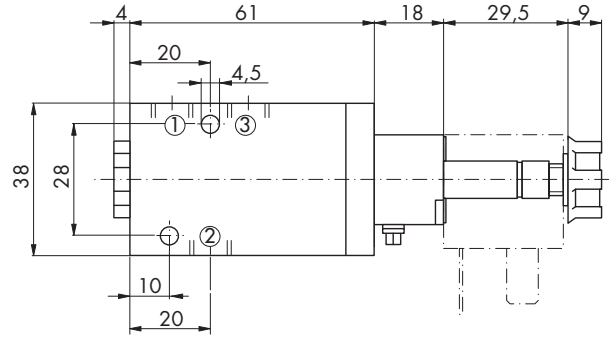
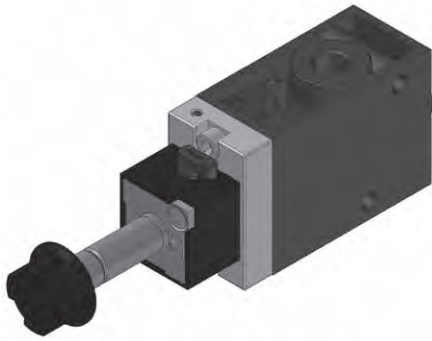
3/2-way Poppet Valves - G 1/8 (D_{nom} 6 mm), G 1/4 (D_{nom} 8 mm)

SECTION A

Actuation: Solenoid, manual override

Return: Spring

Coil Type: 76.410.xx.xx (order separately)



Code	A	Type	Symbol
76.026.11.00	G 1/8	NO	
76.046.11.00	G 1/4		
76.026.01.00	G 1/8	NC	
76.046.01.00	G 1/4		

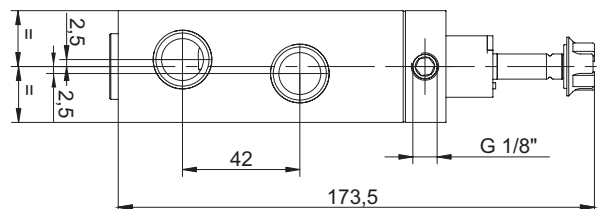
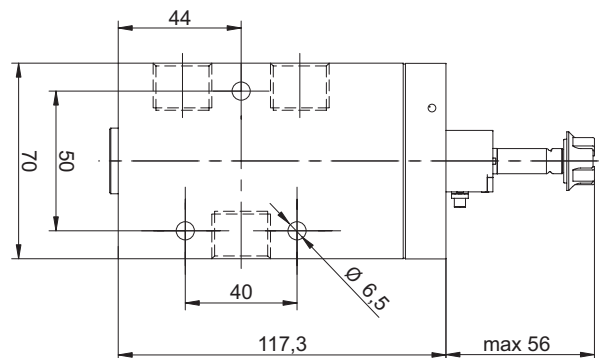
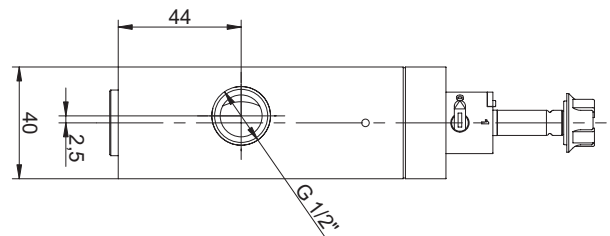
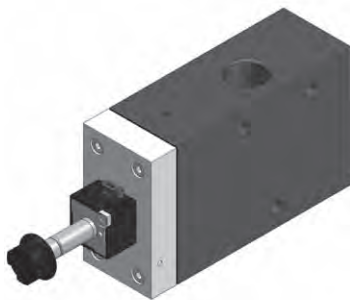
3/2-way Poppet Valves - G 1/2 (D_{nom} 15 mm)

SECTION A

Actuation: Solenoid, manual override

Return: Spring

Coil Type: 76.410.xx.xx (order separately)



Code	A	Type	Symbol
76.066.11.00	G 1/2	NO	
76.066.01.00	G 1/2		
76.066.01.00	G 1/2	NC	
76.066.01.00	G 1/2		

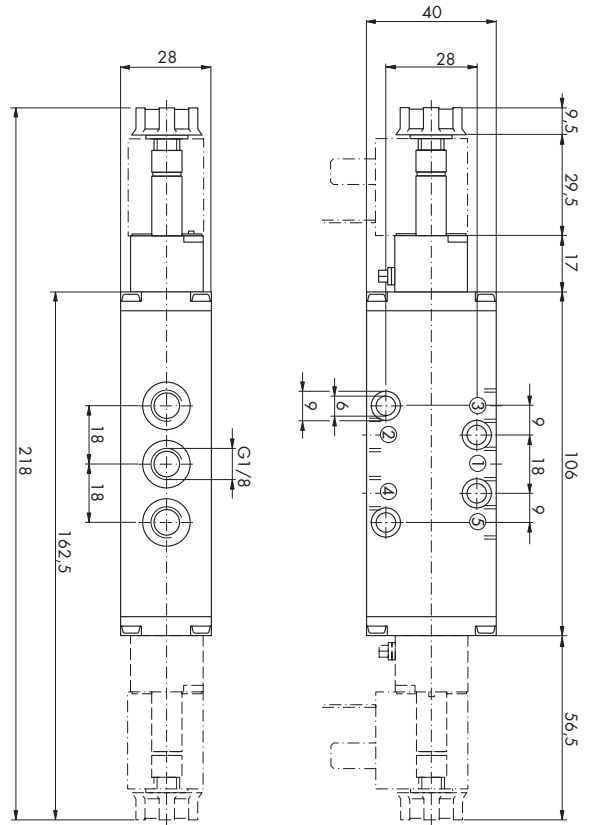
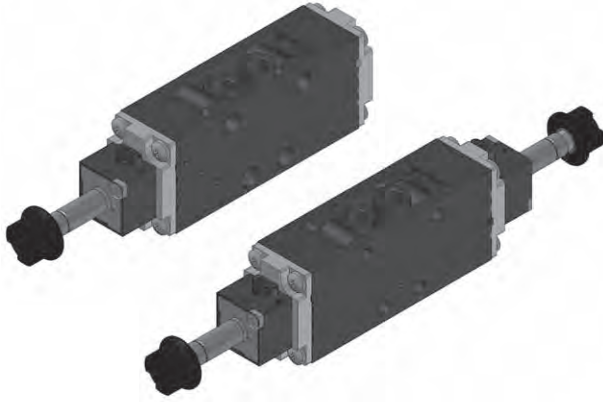
5/2-way Poppet Valves - G 1/8 (D_{nom} 6 mm)

SECTION B

Actuation: Solenoid, manual override

Return: Spring (pressure supported)
Solenoid

Coil Type: 76.410.xx.xx (order separately)



Code	Return	Type	Symbol
76.027.91.00	Spring	Horizontal	
76.027.92.00	Solenoid	Horizontal	

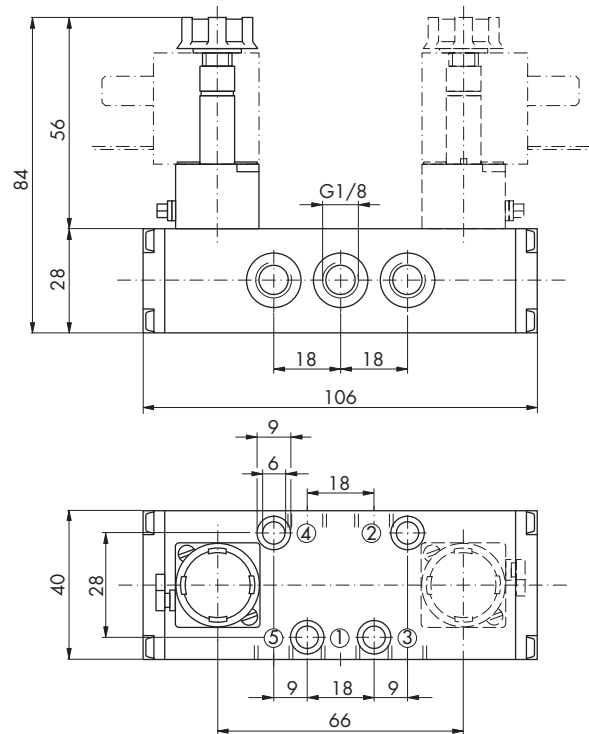
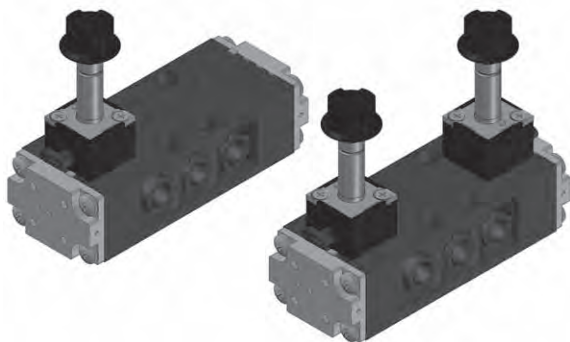
5/2-way Poppet Valves - G 1/8 (D_{nom} 6 mm)

SECTION B

Actuation: Solenoid, manual override

Return: Spring (pressure supported)
Solenoid

Coil Type: 76.410.xx.xx (order separately)



Code	Return	Type	Symbol
76.027.94.00	Spring	Vertical	
76.027.95.00	Solenoid	Vertical	

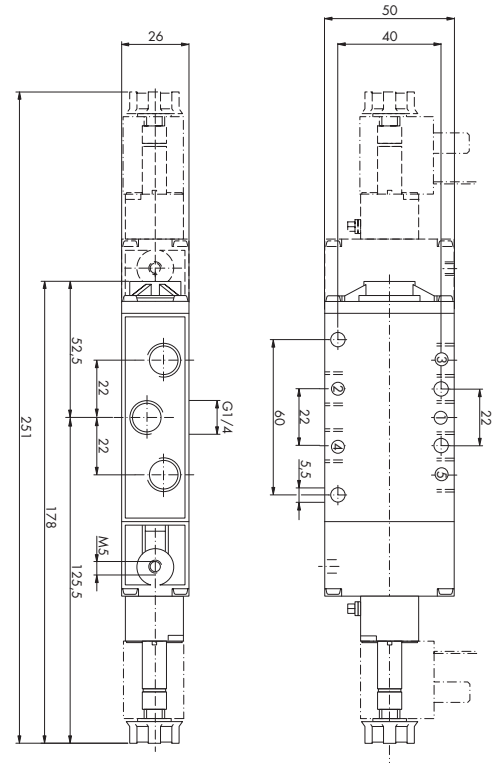
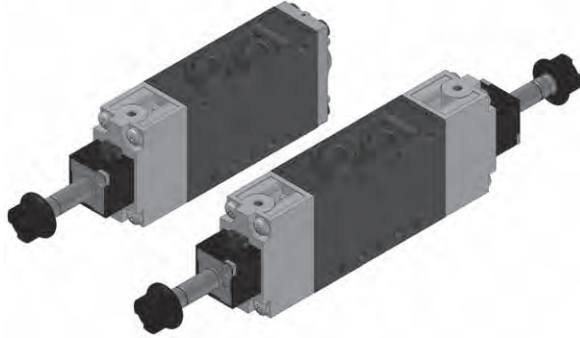
5/2-way Poppet Valves - G 1/4 (D_{nom} 8 mm)

SECTION B

Actuation: Solenoid, manual override

Return: Spring (pressure supported)
Solenoid

Coil Type: 76.410.xx.xx (order separately)



Code	Return	Type	Symbol
76.047.91.00	Spring	Horizontal	
76.047.92.00	Solenoid	Horizontal	

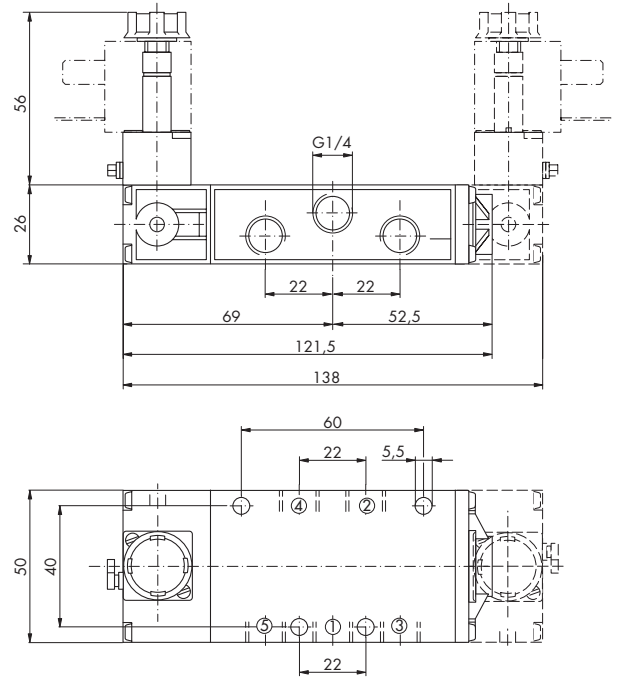
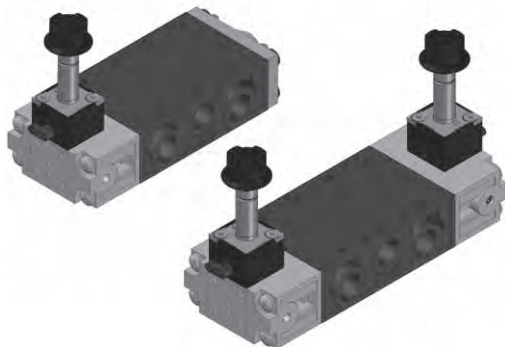
5/2-way Poppet Valves - G 1/4 (D_{nom} 8 mm)

SECTION B

Actuation: Solenoid, manual override

Return: Spring (pressure supported)
Solenoid

Coil Type: 76.410.xx.xx (order separately)



Code	Return	Type	Symbol
76.047.94.00	Spring	Vertical	
76.047.95.00	Solenoid	Vertical	

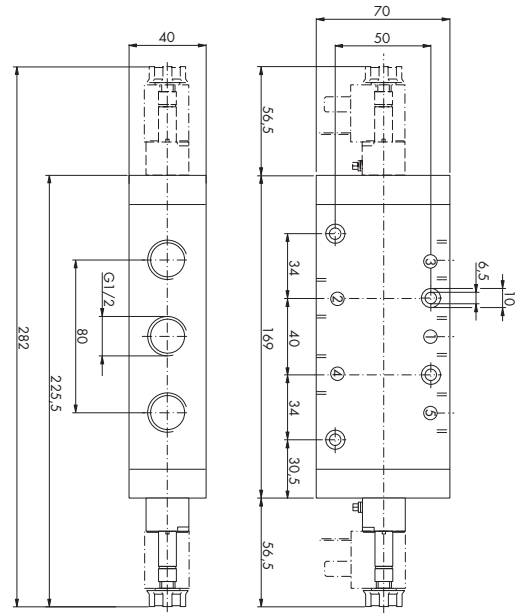
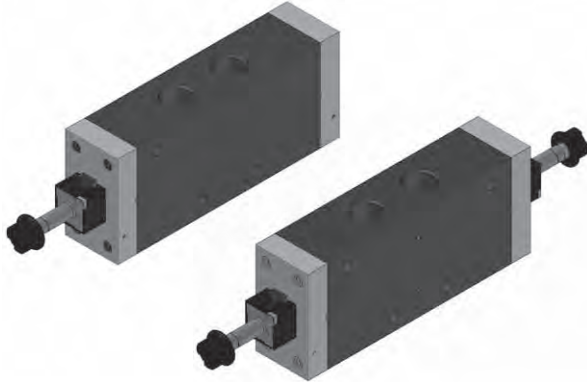
5/2-way Poppet Valves - G 1/2 (D_{nom} 15 mm)

SECTION B

Actuation: Solenoid, manual override

Return: Spring (pressure supported)
Solenoid

Coil Type: 76.410.xx.xx (order separately)



Code	Return	Type	Symbol
76.067.91.00	Spring	Horizontal	
76.067.92.00	Solenoid	Horizontal	

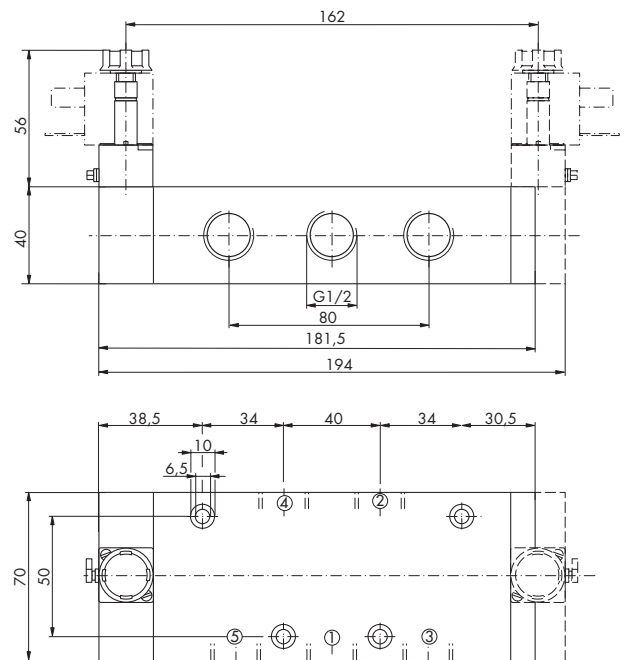
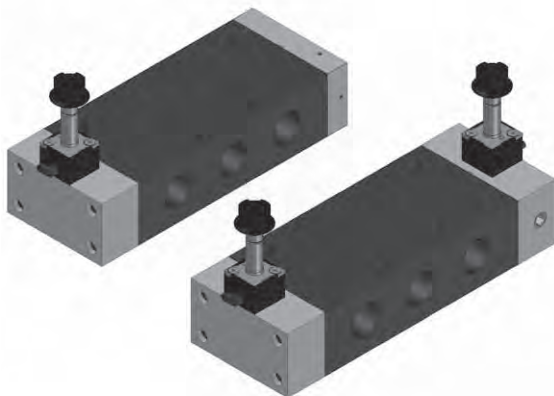
5/2-way Poppet Valves - G 1/2 (D_{nom} 15 mm)

SECTION B

Actuation: Solenoid, manual override

Return: Spring (pressure supported)
Solenoid

Coil Type: 76.410.xx.xx (order separately)



Code	Return	Type	Symbol
76.067.94.00	Spring	Vertical	
76.067.95.00	Solenoid	Vertical	

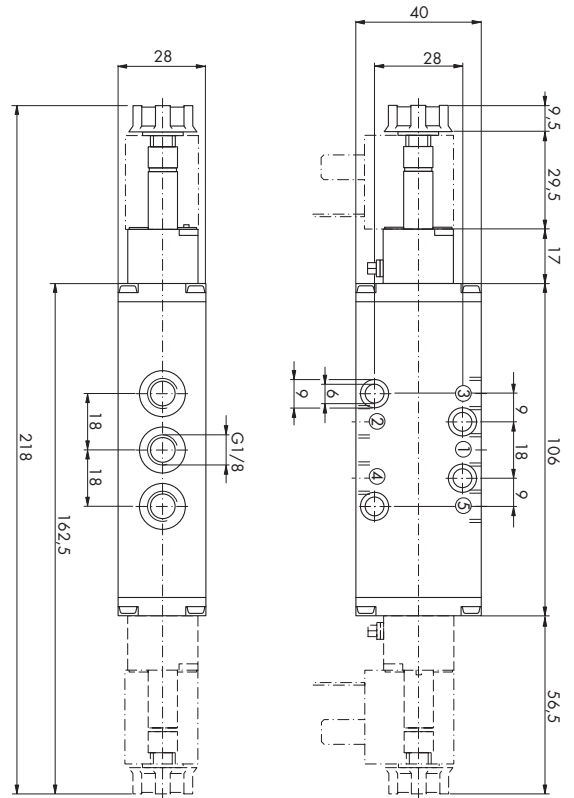
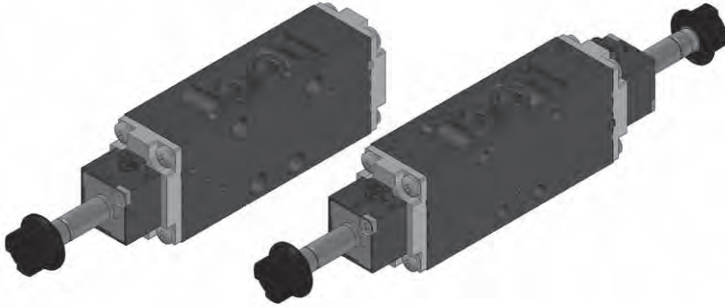
5/2-way & 5/3-way Spool Valves - G 1/8 (D_{nom} 6 mm)

SECTION C

Actuation: Solenoid, manual override

Return: Spring (pressure supported)
Solenoid

Coil Type: 76.410.xx.xx (order separately)



Code	Return	Type	Symbol
76.023.91.00	Spring	Horizontal	
76.023.92.00	Solenoid	Horizontal	
76.024.02.00	Spring (return to centre)	Horizontal	
76.024.12.00	Spring (return to centre)	Horizontal	

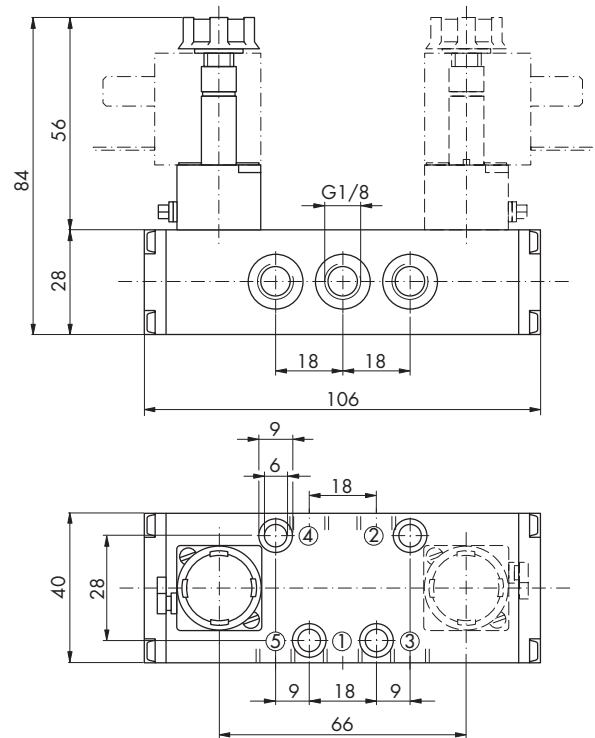
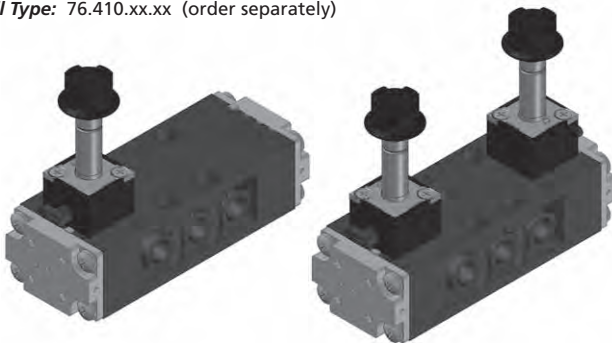
5/2-way & 5/3-way Spool Valves - G 1/8 (D_{nom} 6 mm)

SECTION C

Actuation: Solenoid, manual override

Return: Spring (pressure supported)
Solenoid

Coil Type: 76.410.xx.xx (order separately)



Code	Return	Type	Symbol
76.023.94.00	Spring	Vertical	
76.023.95.00	Solenoid	Vertical	
76.024.05.00	Spring (return to centre)	Vertical	
76.024.15.00	Spring (return to centre)	Vertical	

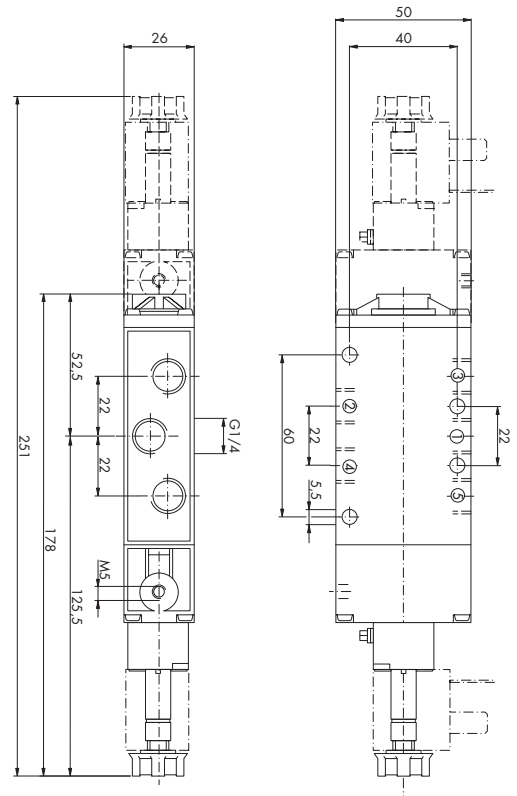
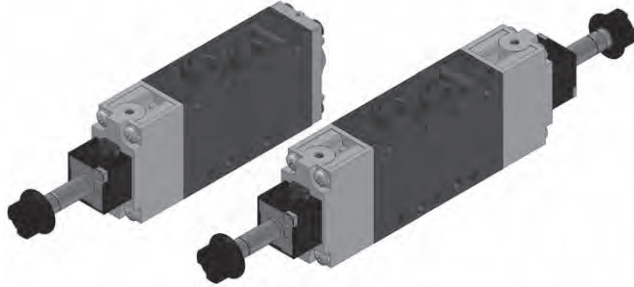
5/2-way & 5/3-way Spool Valves - G 1/4 (D_{nom} 8 mm)

SECTION C

Actuation: Solenoid, manual override

Return: Spring (pressure supported)
Solenoid

Coil Type: 76.410.xx.xx (order separately)



Code	Return	Type	Symbol
76.043.91.00	Spring	Horizontal	
76.043.92.00	Solenoid	Horizontal	
76.044.02.00	Spring (return to centre)	Horizontal	
76.044.12.00	Spring (return to centre)	Horizontal	

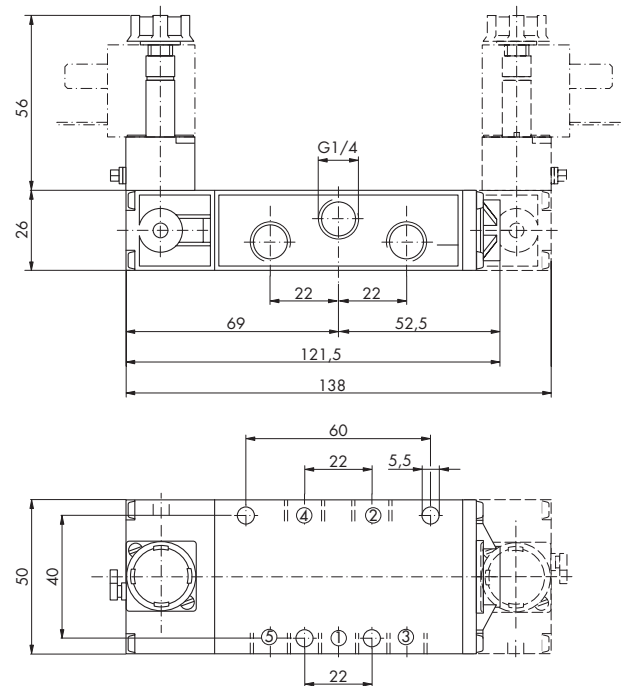
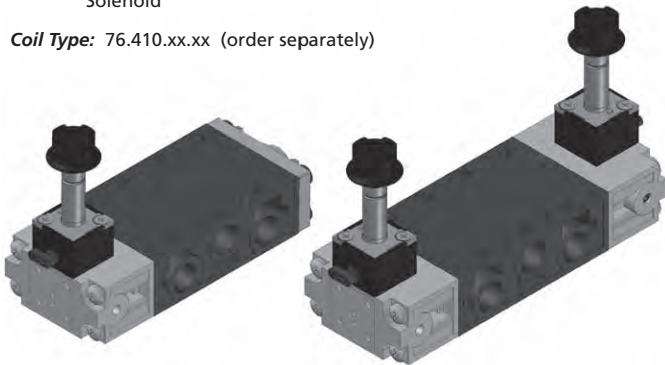
5/2-way & 5/3-way Spool Valves - G 1/4 (D_{nom} 8 mm)

SECTION C

Actuation: Solenoid, manual override

Return: Spring (pressure supported)
Solenoid

Coil Type: 76.410.xx.xx (order separately)



Code	Return	Type	Symbol
76.043.94.00	Spring	Vertical	
76.043.95.00	Solenoid	Vertical	
76.044.05.00	Spring (return to centre)	Vertical	
76.044.15.00	Spring (return to centre)	Vertical	

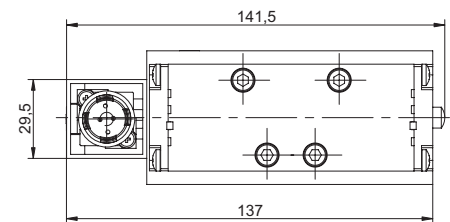
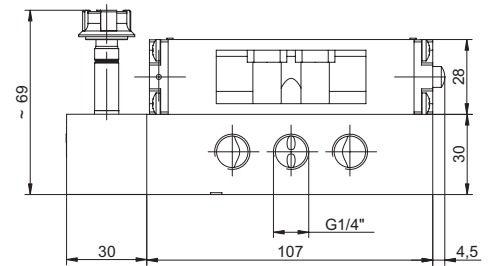
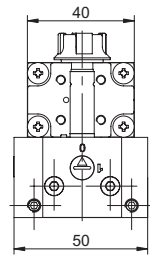
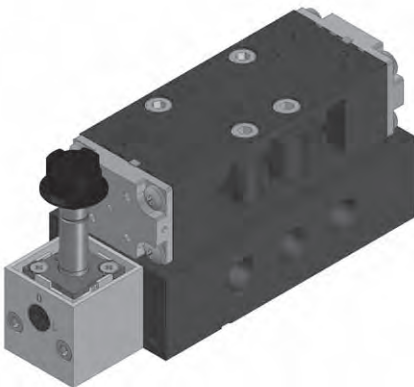
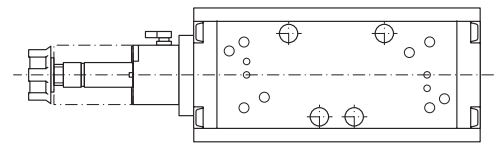
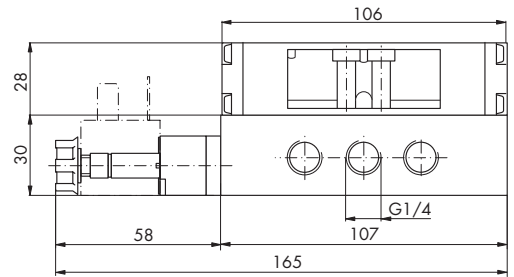
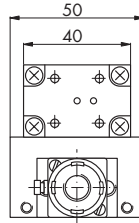
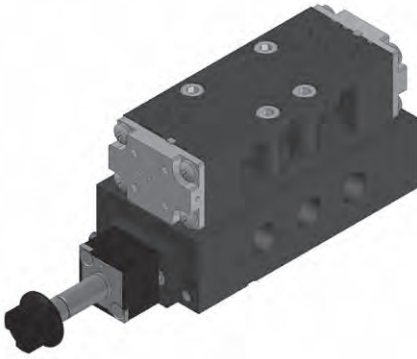
5/2-way - Monostable flip-flop

SECTION D

Actuation: Solenoid

Return: Solenoid (return pulse)

Coil Type: 76.410.xx.xx (order separately)
76.411.xx.xx only for Cnomo versions (order separately)



The valve provides a 5/2 way switched output from an electrical pulse signal of at least 300 ms in length. When the solenoid is energised, the valve output position changes. The output valve maintains position until the next electrical pulse signal is applied.

Example: with a double acting cylinder at start position of rod in, pulse the valve once and rod extends. Pulse the valve a second time and rod returns.

Code	A	Coil type	Symbol
76.083.89.00	G 1/4	76.410.xx.xx	
76.083.88.00	G 1/4	76.411.xx.xx (Cnomo Type)	

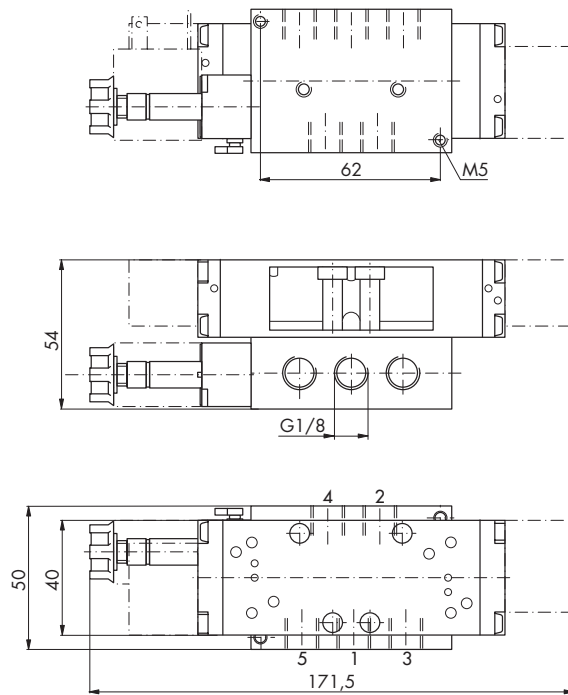
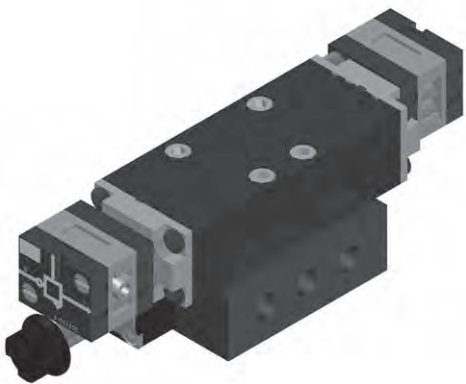
5/2-way - Oscillator

SECTION D

Actuation: Solenoid

Return: Solenoid

Coil Type: 76.410.xx.xx (order separately)



This valve can be used to oscillate a double acting cylinder. When the solenoid is continuously energised the valve will oscillate. Removal of electrical power to the solenoid coil will return the valve to its start position.

Speed is dependent upon the connected volume and line pressure which can be controlled by the addition of flow control valves on the cylinder input ports. The typical speed is 16 cycles per minute, the minimum operating pressure range is 2.5 bar.

Code	A	Type	Symbol
76.083.90.00	G 1/8	Oscillator	

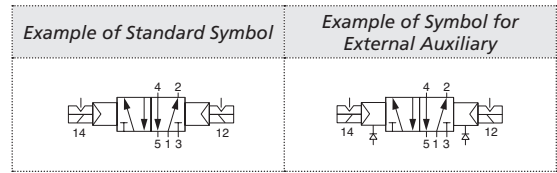
External Auxiliary Valves

SECTION D

The 76 series range of valves is also available with additional external pneumatic auxiliary ports for switching. Other versions are available, please contact our sales department for further information.

Actuation: Solenoid (external pneumatic auxiliary port)

Coil Type: 76.410.xx.xx (order separately)
76.411.xx.xx only for Cnomo versions (order separately)

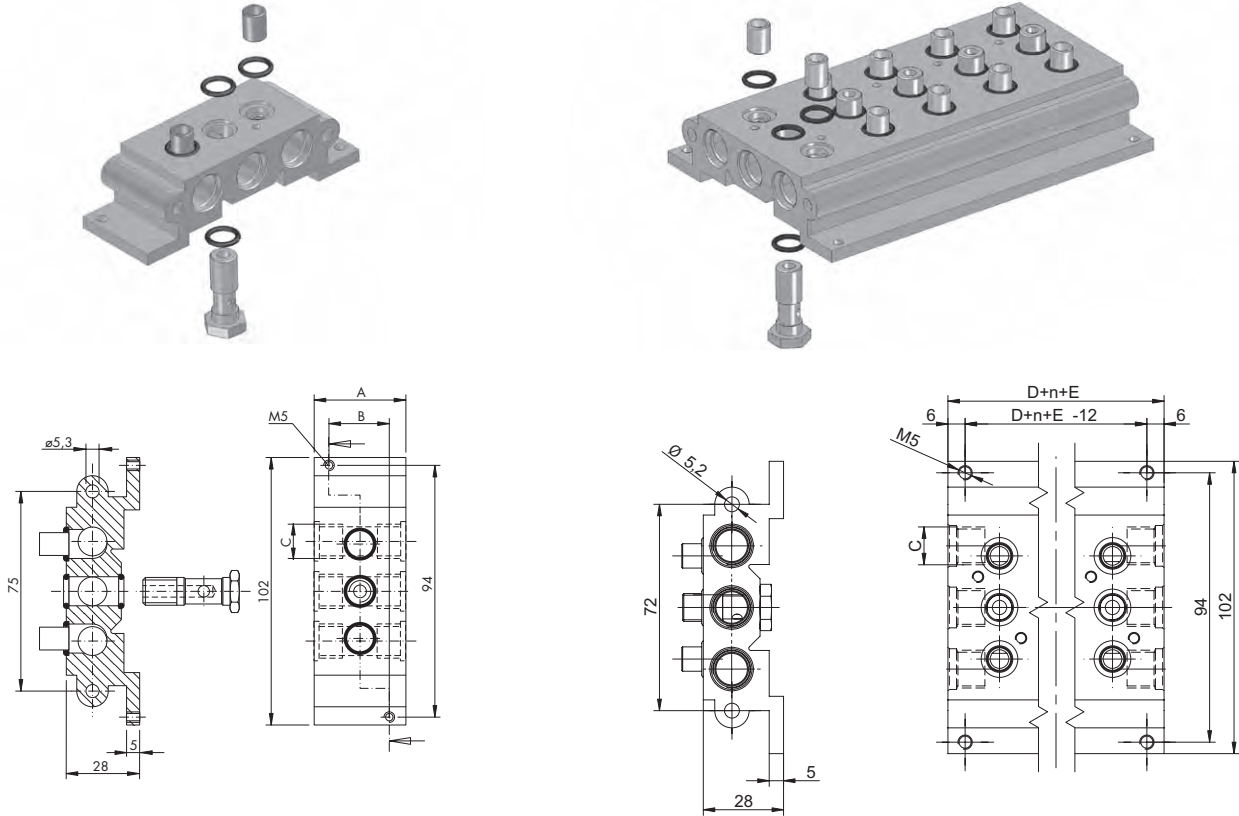


Code	Function	Pressure connection	Pilot Pressure Connection	Valve Type	Housing	Return	Note
76.326.11.00	3/2 NO	G1/8	M5	Poppet valves	Die-cast and varnished aluminium alloy	Spring	
76.346.11.00		G1/4	M5			Spring	
76.366.11.00		G1/2	G1/8			Spring	
76.326.01.00	3/2 NC	G1/8	M5	Poppet valves	Die-cast and varnished aluminium alloy	Spring	
76.346.01.00		G1/4	M5			Spring	
76.366.01.00		G1/2	G1/8			Spring	
76.327.91.00	5/2	G1/8	M5	Poppet valves	Die-cast and varnished aluminium alloy	Spring	
76.327.92.00				Spool valves		Solenoid	
76.323.91.00						Spring	
76.323.92.00				Solenoid			
76.347.91.00	5/2	G1/4	M5	Poppet valves	Die-cast and varnished aluminium alloy	Spring	
76.347.92.00				Spool valves		Solenoid	
76.343.91.00						Spring	
76.343.92.00				Solenoid			
76.367.91.00	5/3 all ports exhaust	G1/2	G1/8	Poppet valves	Die-cast and varnished aluminium alloy	Spring	
76.367.92.00						Solenoid	
76.367.95.00						Solenoid	Vertical pilot
76.344.02.00	5/2	ISO 1	G1/8	Spool valves	Die-cast and varnished aluminium alloy	Solenoid	
76.387.94.00				Poppet valves		Spring	Vertical pilot
76.387.97.00						Spring	Cnomo pilot
76.387.98.00				Solenoid		Cnomo pilot	
76.383.97.00				Spool valves		Spring	Cnomo pilot
76.384.05.00	Solenoid	Vertical pilot					
76.397.97.00	5/2	ISO 2	G1/8	Poppet valves	Die-cast and varnished aluminium alloy	Spring	
76.393.97.00				Spool valves		Spring	
76.393.98.00						Solenoid	

Subplates for Solenoid Valves 76.02x.xx.xx / 76.04x.xx.xx

If your solenoid valve requirement is for G1/8 or G1/4 threaded ports then the valves can easily be mounted using subplates with common integrated air pressure supply and exhaust channels. Modular subplates are available for up to 1-10 valves. The valves are mounted using a hollow bolt securing the valve to the subplate allowing air pressure to each individual mounted valve. The exhaust connections of each valve are centred by two brass

sleeves and sealed using O-rings. Additional valve locations that remain empty can be closed using dummy subplates which can be utilised for future expansion. O-rings are used to seal individual subplates together, sealing nipples can be used to separate air feeds or simply closing channels within the valve configuration. The subplates are connected together using an M4 threaded rod. Please refer to page A/16 for mounting instructions.



Subplate with a place for one valve

Subplate with places for 2-10 valves

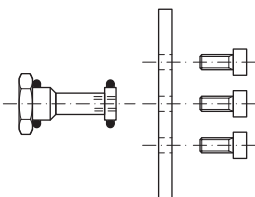
Code	Position number	A	B	C	D	E	Min. Order Qty
76.420.02.xx	from 1 up to 10 position	35	23	G 1/8	7.5	28.5	50 pcs
76.440.02.xx	from 1 up to 10 position	42	30	G 1/4	16	26.5	50 pcs

Note: The last two numbers (xx) indicate the subplates location numbers. Included in the shipment for each valve location is 1 hollow bolt, 2 brass sleeves and 4 O-rings.

Set of Dummy Subplates and Connecting Nipples

Dummy Subplates

Sealing plate, blanking plug, o-rings (3) and screws (3) to close a subplate position

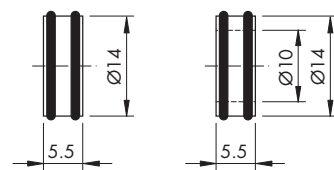


Connecting Nipples

Nipples for connecting 2 different subplates

Blanking Nipple
A

Connecting Nipple
B



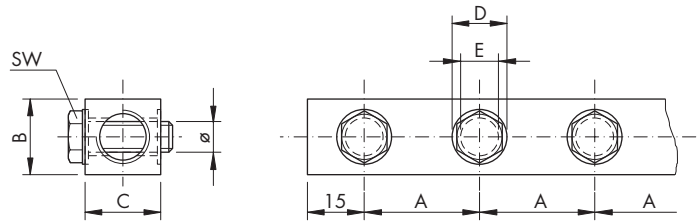
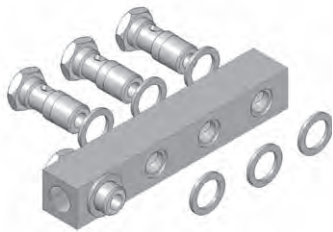
Code	For connection variables
76.420.00.46	G 1/8
76.420.00.47	G 1/4

Code	Number per set
76.420.00.48	3 x B
76.420.00.49	(2 x B) + (1 x A)

Common Input Manifolds G 1/8, G 1/4 for Subplates

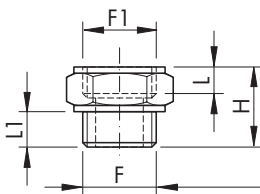
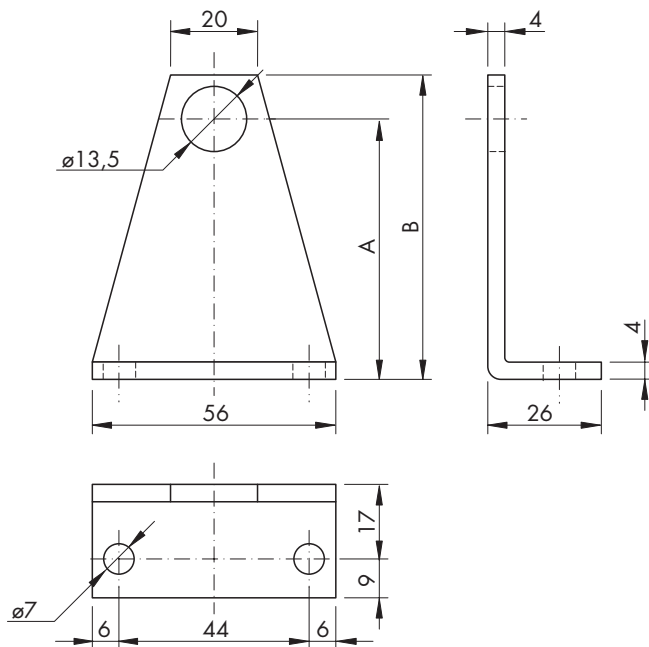
Common input manifolds are available in two sizes, G1/8 or G1/4. Each manifold has two separate air feeds at either end of the strip. Up to 10 valves can be mounted across the face of the strip using hollow bolts.

Two bracket sizes are available to accommodate the height of valve used. Please refer to page A/16 for mounting instructions.



Code	Ø	A	B	C	ØD	E	SW	Min. Order Qty
76.420.01.xx (02-10)	G 1/8	30.5	20	20	14.5	10	14	50 pcs
76.440.01.xx (02-10)	G 1/4	30.5	20	20	14.5	13.5	17	50 pcs

Note: The last two numbers (xx) indicate the manifold location numbers. Hollow bolts and O-rings are included. Other versions on request.



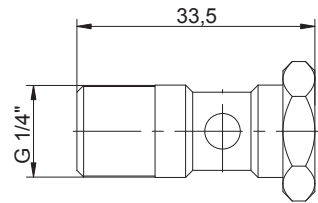
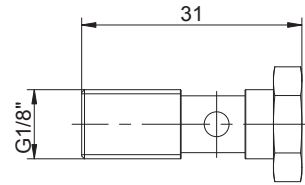
Code	F1/F	L	L1	H	SW	A	B	Min. Order Qty
76.420.00.09	G 1/4	11	11	25	17	60	70	50 pcs
76.440.00.10	G 1/4	11	11	20	17	130	140	50 pcs

Note: The shipment includes 2 mounting brackets and 2 O-rings.

Spare parts for Subplates

Hollow bolt

Hollow bolt used for mounting valves as shown on page A-16.

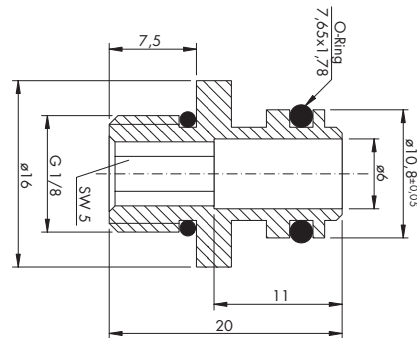


Code	Connection Set
76.420.00.34	G 1/8
76.420.00.35	G 1/4

Note: The shipment includes 1 hollow bolt and 2 O-rings.

Linking element

Linking element to seal individual subplate sections operating at different pressures or for open connecting ports.



Code	Note
76.420.00.36	Linking element with borehole Ø 6 mm
76.420.00.37	Linking element without borehole Ø 6 mm

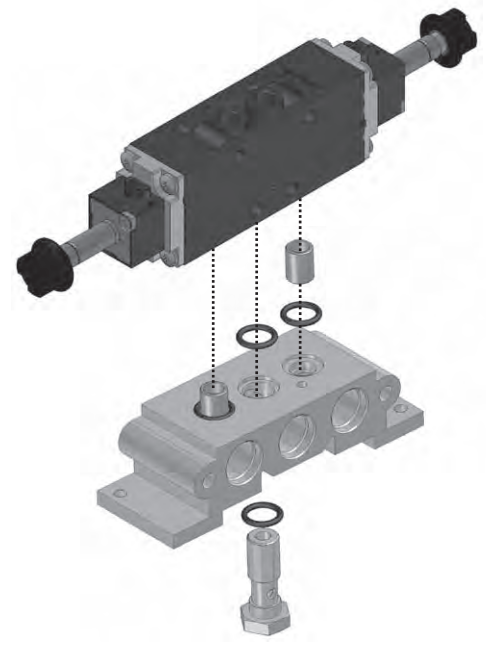
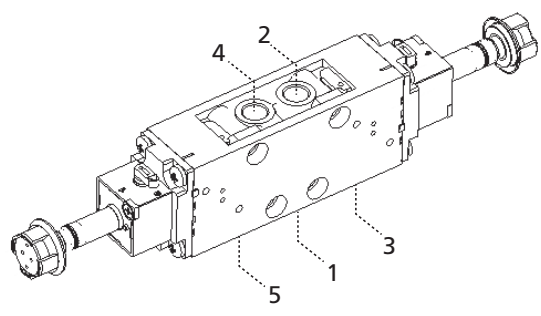
Note: The shipment includes 1 linking element complete with O-rings.

Subplate System Mounting Instructions

Subplate and valve:

- Air pressure supply (1) - On the subplates
- Exhaust channels (3; 5) - On the subplates
- Outputs (2; 4) - Valve outputs

Insert the brass sleeves and O-rings onto the subplate into position "3" and "5" as shown. Place the valve onto the subplate using the brass sleeves for guidance. Insert the hollow bolt from under the subplate locating the bolt to port "1" of the valve and tighten to secure the valve to the subplate.

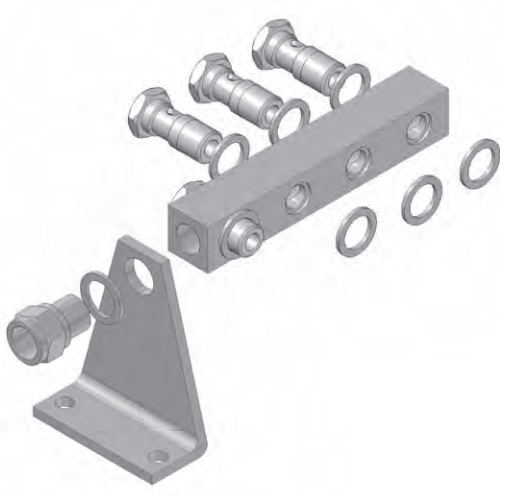


Common Input Manifold Mounting Instructions

Each valve is mounted along the face of the common input manifold as shown below in "Step 2". Hollow bolts and O-rings secure the valve to the manifold allowing air pressure to port "1" of each valve.

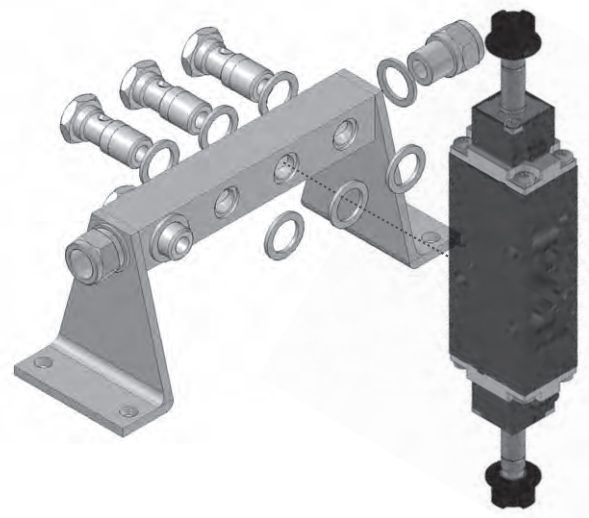
Assembly of mounting brackets to the manifold body

STEP 1



Mounting of the valve on the manifold

STEP 2



MECHANICALLY ACTUATED VALVES

General information

Function	Section	Pressure range	Pressure connection (nominal orifice)	Housing material	Seals
2/2-way Poppet Valves 3/2-way Poppet Valves	A	0 - 10 bar	G 1/8 (4 mm)	Die-cast and varnished zinc alloy	PUR
3/2-way Spool Valves	B	0 - 10 bar (direct) 2.5 - 10 bar (pilot controlled)	G 1/8 (6 mm)	Die-cast and varnished zinc alloy	NBR
Panel mounted pushbuttons * (3/2-way Spool Valves)	C	0 - 10 bar (direct) 2.5 - 10 bar (pilot controlled)	G 1/8 (6 mm)	Die-cast and varnished zinc alloy	NBR
3/2-way Spool Valves	D	0 - 10 bar	G 1/4 (8 mm)	Die-cast and varnished aluminium alloy	NBR
5/2-way Spool Valves 5/3-way Spool Valves	E	0 - 10 bar (direct) 2.5 - 10 bar (pilot controlled)	G 1/8 (6 mm)	Die-cast and varnished zinc alloy	NBR
Panel mounted pushbuttons * (5/2-way Spool Valves) (5/3-way Spool Valves)	F	0 - 10 bar (direct) 2.5 - 10 bar (pilot controlled)	G 1/8 (6 mm)	Die-cast and varnished zinc alloy	NBR
5/2-way Spool Valves 5/3-way Spool Valves	G	0 - 10 bar	G 1/4 (8 mm)	Die-cast and varnished aluminium alloy	NBR
Servo controlled Valves Mixed Mechanical and Pneumatic Valves	H	0 - 10 bar (direct) 2.5 - 10 bar (pilot controlled)	G 1/8 (6 mm) G 1/4 (8 mm)	Die-cast and varnished aluminium alloy	NBR

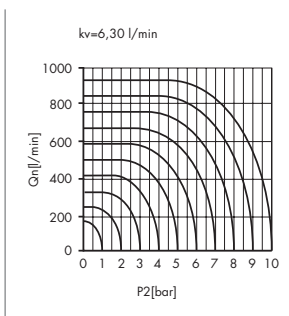
* Panel mounted pushbuttons are designed to fit along side standard industrial electrical pushbuttons to provide a uniform panel appearance and utilize the same drilling hole sizes and spacing. Additionally, items such as legend plates, lock off devices and other standard accessories can be used to blend air valves with electrical buttons on operator control panels. Miniature pushbutton valves utilize a bayonet mounting system that reduces installation time by eliminating loose washers, spacers and valve assembly. The pushbutton operator is inserted in the panel hole and attached to the valve body by turning the valve into place. 2 clamping screws are then tightened into the back of the panel to secure the unit in place.

Ambient temperature range: From -15 °C to +50 °C

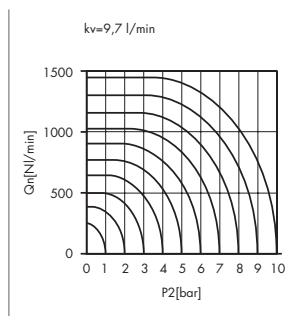
Mounting: Any position

Lubricant: Not required

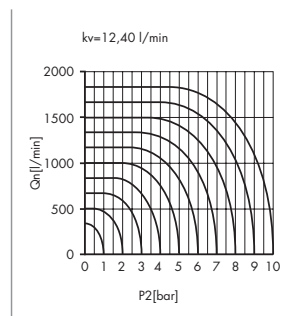
Operating medium: 5 micron filtered, lubricated (or not) compressed air; also suitable for other media conforming to ISO-VG 10



Poppet Valves
Orifice 4 mm



Spool Valves
Orifice 6 mm



Spool Valves
Orifice 8 mm

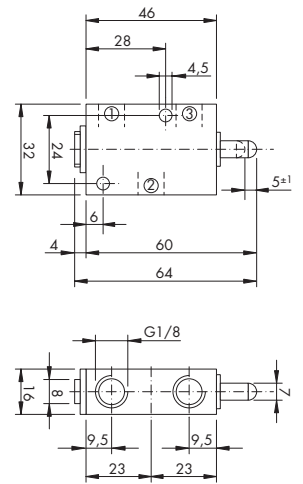
2/2-way & 3/2-way Poppet Valves - G 1/8 (D_{nom} 4 mm)

SECTION A

Actuation: Plunger

Actuation Force: 60 N (6 bar approx.)

Return: Spring



Code	Symbol
76.025.21.21	
76.026.21.21	

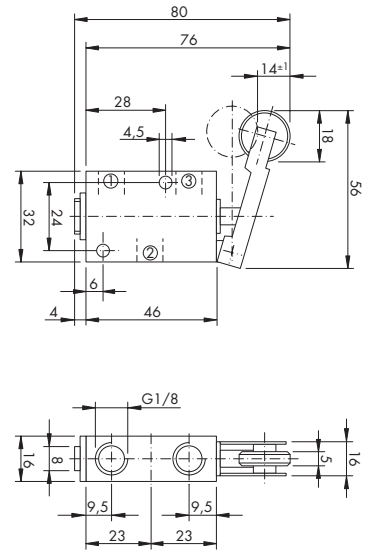
2/2-way & 3/2-way Poppet Valves - G 1/8 (D_{nom} 4 mm)

SECTION A

Actuation: Roller lever

Actuation Force: 35 N (6 bar approx.)

Return: Spring



Code	Symbol
76.025.23.21	
76.026.23.21	

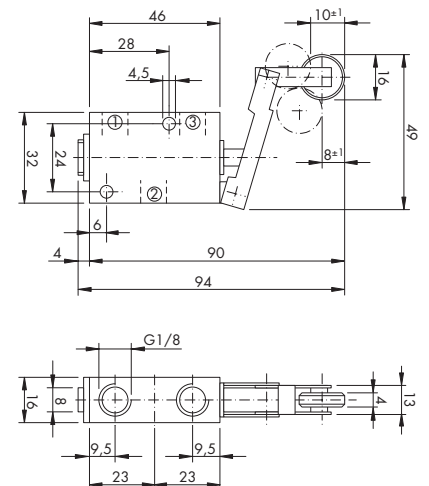
2/2-way & 3/2-way Poppet Valves - G 1/8 (D_{nom} 4 mm)

SECTION A

Actuation: One-way lever trip

Actuation Force: 20 N (6 bar approx.)

Return: Spring



Code	Symbol
76.025.24.21	
76.026.24.21	

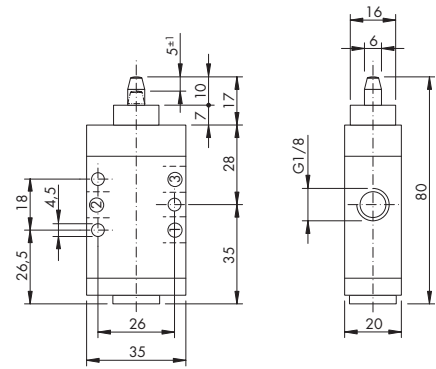
3/2-way Spool Valves - G 1/8 (D_{nom} 6 mm)

SECTION B

Actuation: Plunger

Actuation Force: 35 N (6 bar approx.)

Return: Spring



Code	Symbol
76.022.21.21	

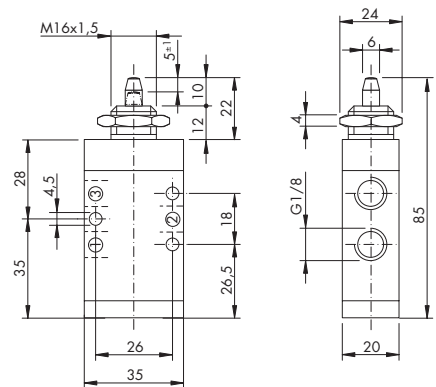
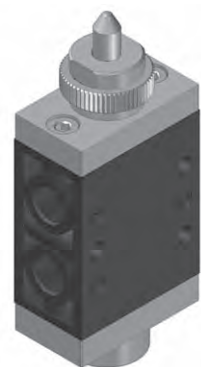
3/2-way Spool Valves - G 1/8 (D_{nom} 6 mm)

SECTION B

Actuation: Plunger

Actuation Force: 35 N (6 bar approx.)

Return: Spring



Code	Symbol
76.022.22.21	

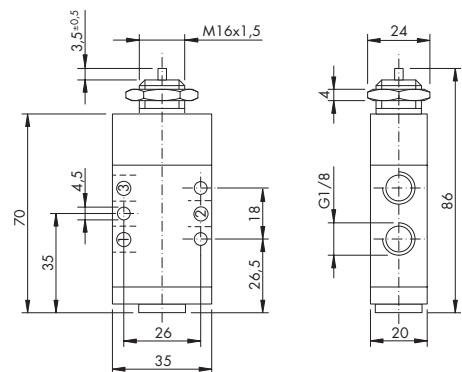
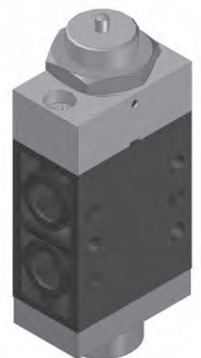
3/2-way Spool Valves - G 1/8 (D_{nom} 6 mm)

SECTION B

Actuation: Plunger, air pilot assisted

Actuation Force: 8 N (6 bar approx.)

Return: Spring



Code	Symbol
76.022.32.21	

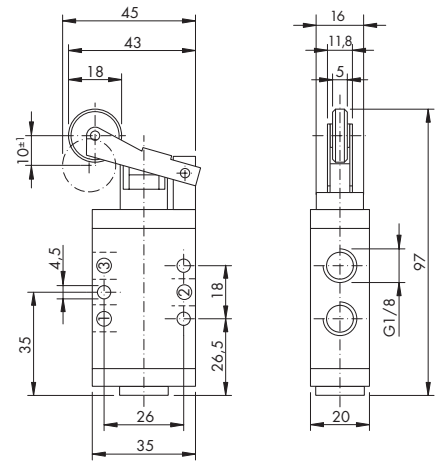
3/2-way Spool Valves - G 1/8 (D_{nom} 6 mm)

SECTION B

Actuation: Roller lever

Actuation Force: 20 N (6 bar approx.)

Return: Spring



Code	Symbol
76.022.23.21	

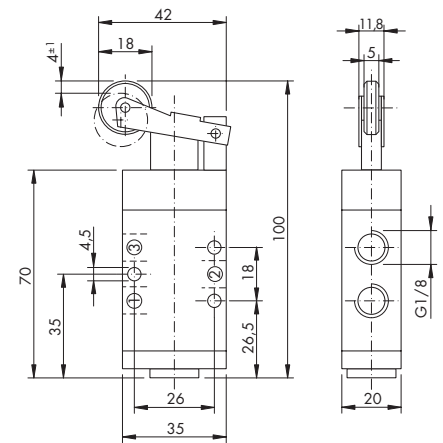
3/2-way Spool Valves - G 1/8 (D_{nom} 6 mm)

SECTION B

Actuation: Roller lever, air pilot assisted

Actuation Force: 4 N (6 bar approx.)

Return: Spring



Code	Symbol
76.022.33.21	

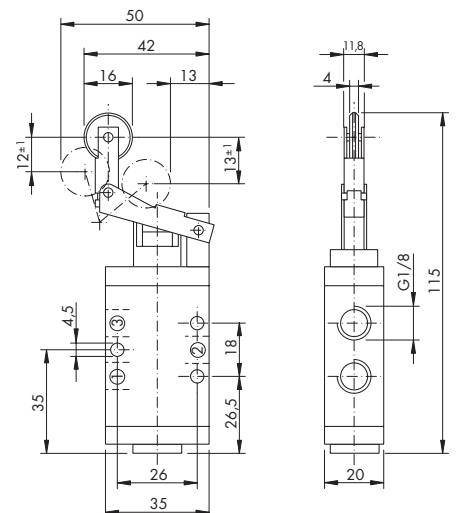
3/2-way Spool Valves - G 1/8 (D_{nom} 6 mm)

SECTION B

Actuation: One-way lever trip

Actuation Force: 20 N (6 bar approx.)

Return: Spring



Code	Symbol
76.022.24.21	

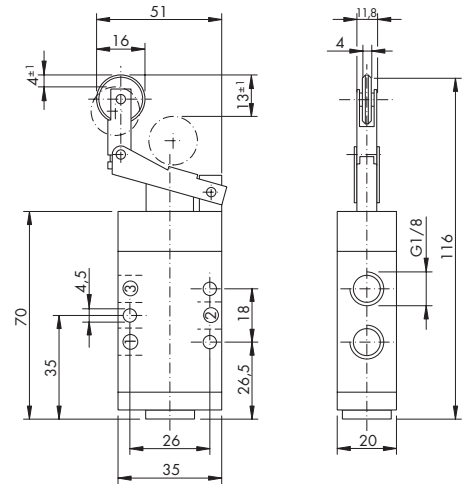
3/2-way Spool Valves - G 1/8 (D_{nom} 6 mm)

SECTION B

Actuation: One way lever trip, air pilot assisted

Actuation Force: 4 N (6 bar approx.)

Return: Spring



Code	Symbol
76.022.34.21	

SERIES 76
MECHANICALLY ACTUATED
VALVES

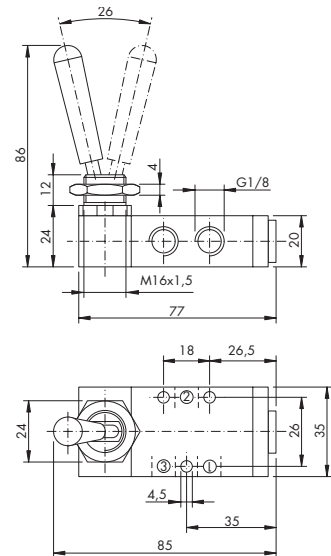
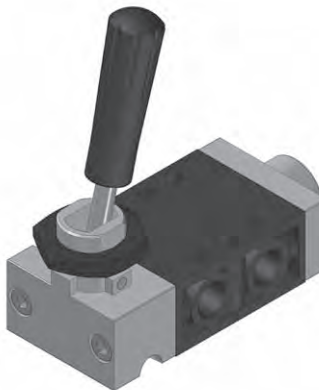
3/2-way Spool Valves - G 1/8 (D_{nom} 6 mm)

SECTION B

Actuation: Lever operated

Actuation Force: 15 N (6 bar approx.)

Return: Spring
Maintained position



Code	Return	Symbol
76.022.25.21	Spring	
76.022.25.00	Maintained position	

Note: bellows available with order code 76.420.00.54 (set 5 pcs)

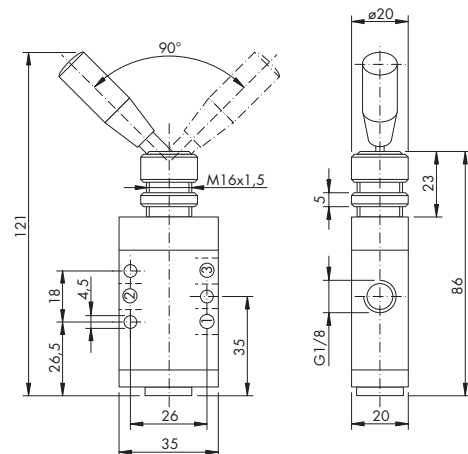
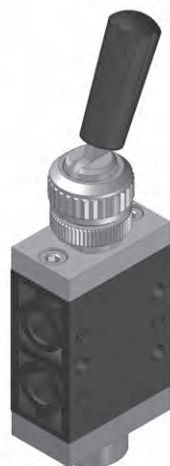
3/2-way Spool Valves - G 1/8 (D_{nom} 6 mm)

SECTION B

Actuation: Lever operated

Actuation Force: 15 N (6 bar approx.)

Return: Maintained position



Code	Symbol
76.022.26.21	

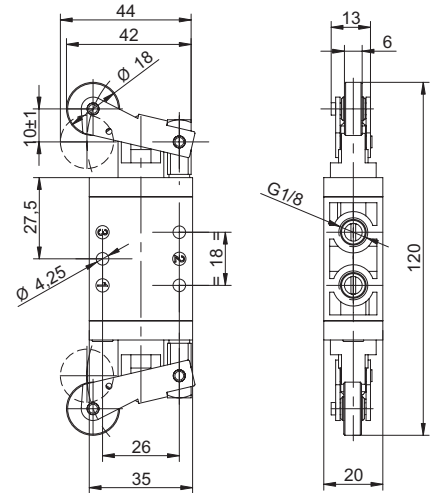
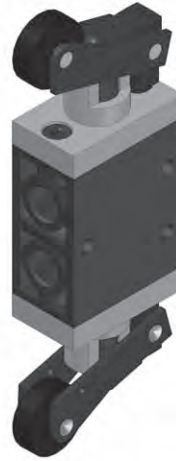
3/2-way Spool Valves - G 1/8 (D_{nom} 6 mm)

SECTION B

Actuation: Roller lever

Actuation Force: 20 N (6 bar approx.)

Return: Roller lever



Code	Symbol
76.022.23.10	

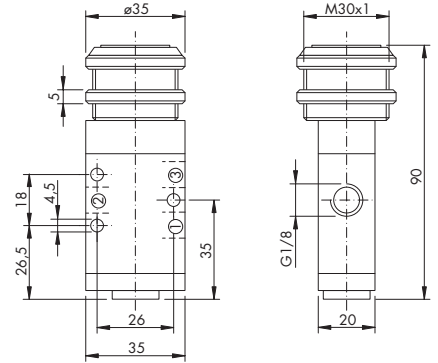
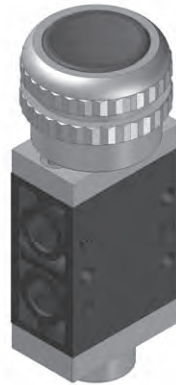
3/2-way Spool Valves - G 1/8 (D_{nom} 6 mm)

SECTION B

Actuation: Shrouded head pushbutton

Actuation Force: 35 N (6 bar approx.)

Return: Spring



Code	Pushbutton	Symbol
76.022.62.21	red	
76.022.62.24	green	
76.022.62.23	black	

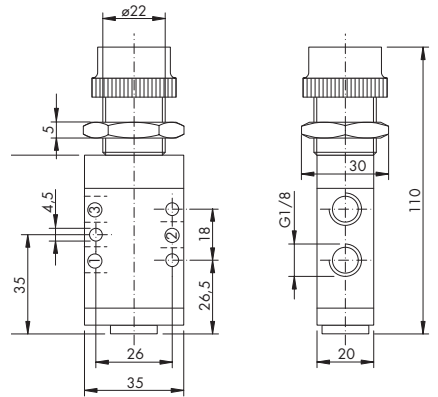
3/2-way Spool Valves - G 1/8 (D_{nom} 6 mm)

SECTION B

Actuation: Shrouded head pushbutton, air pilot assisted

Actuation Force: 4 N (6 bar approx.)

Return: Spring



Code	Pushbutton	Symbol
76.022.66.21	red	
76.022.66.24	green	
76.022.66.23	black	

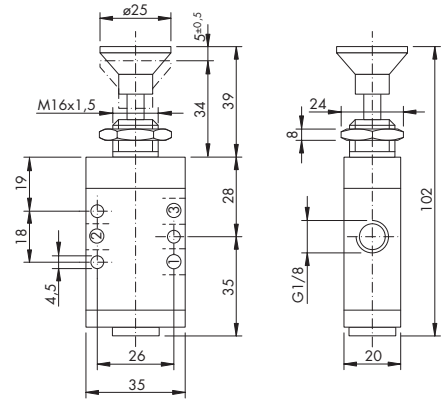
3/2-way Spool Valves - G 1/8 (D_{nom} 6 mm)

SECTION B

Actuation: Knob pushbutton

Actuation Force: 35 N (6 bar approx.)

Return: Spring
Maintained position



Code	Return	Symbol
76.022.27.21	Spring	
76.022.27.00	Maintained position	

SERIES 76
MECHANICALLY ACTUATED
VALVES

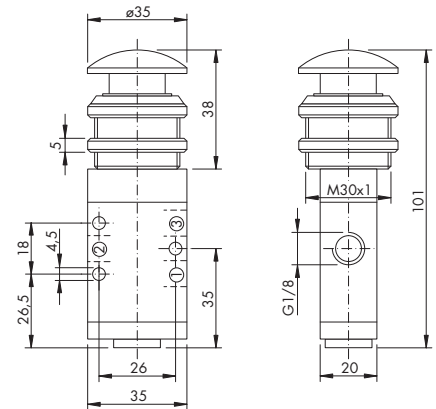
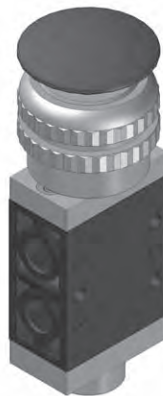
3/2-way Spool Valves - G 1/8 (D_{nom} 6 mm)

SECTION B

Actuation: Mushroom pushbutton

Actuation Force: 35 N (6 bar approx.)

Return: Spring



Code	Pushbutton	Symbol
76.022.61.21	red	
76.022.61.24	green	
76.022.61.23	black	

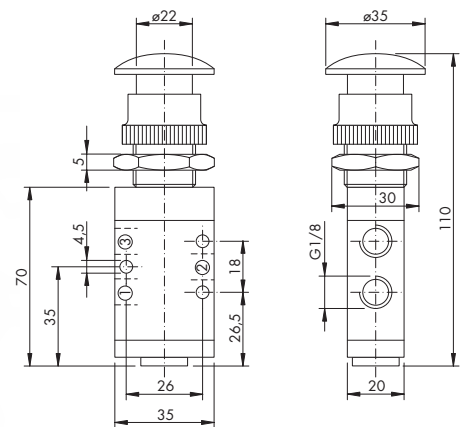
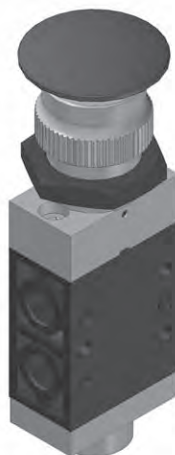
3/2-way Spool Valves - G 1/8 (D_{nom} 6 mm)

SECTION B

Actuation: Mushroom pushbutton, air pilot assisted

Actuation Force: 4 N (6 bar approx.)

Return: Spring



Code	Pushbutton	Symbol
76.022.65.21	red	
76.022.65.24	green	
76.022.65.23	black	

3/2-way Panel Mounted Spool Valves - G 1/8 (D_{nom} 6 mm)

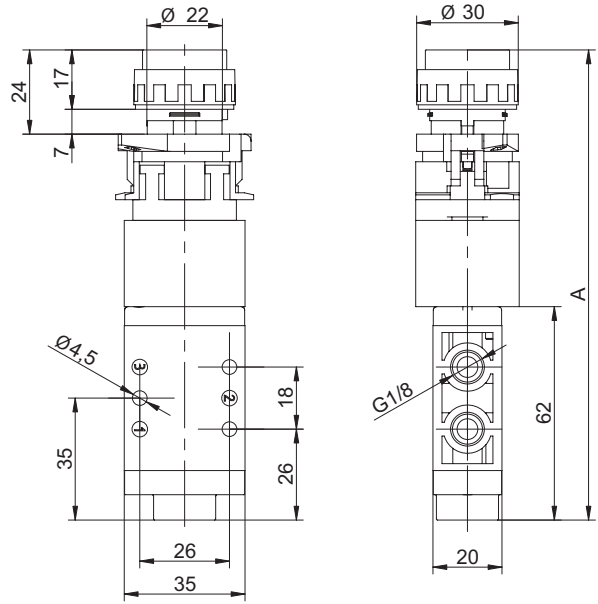
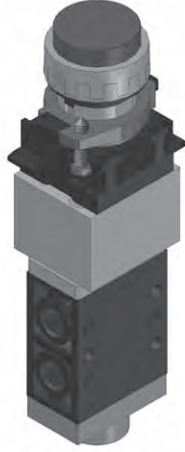
SECTION C

Actuation: Type A: Raised pushbutton
 Type B: Raised pushbutton, air pilot assisted

Return: Type A & B: Spring

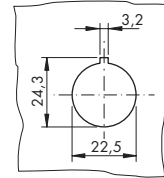
Actuation Force: Type A: 35 N (6 bar approx.)
 Type B: 8 N (6 bar approx.)

SERIES 76
MECHANICALLY ACTUATED
VALVES



Code	A	Symbol
76.022.41.21 (Type A)	136	
76.022.51.21 (Type B)	143	

Panel Drilling Plan



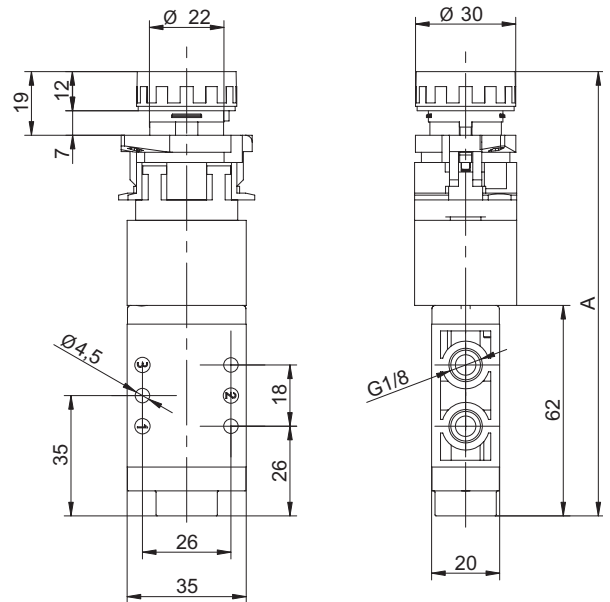
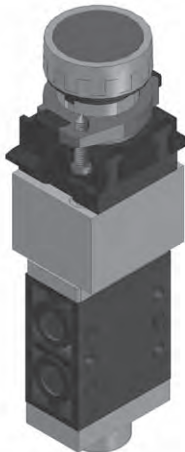
3/2-way Panel Mounted Spool Valves - G 1/8 (D_{nom} 6 mm)

SECTION C

Actuation: Type A: Shrouded head pushbutton
 Type B: Shrouded head pushbutton, air pilot assisted

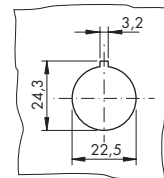
Return: Type A & B: Spring

Actuation Force: Type A: 35 N (6 bar approx.)
 Type B: 8 N (6 bar approx.)



Code	A	Symbol
76.022.42.21 (Type A)	131	
76.022.52.21 (Type B)	138	

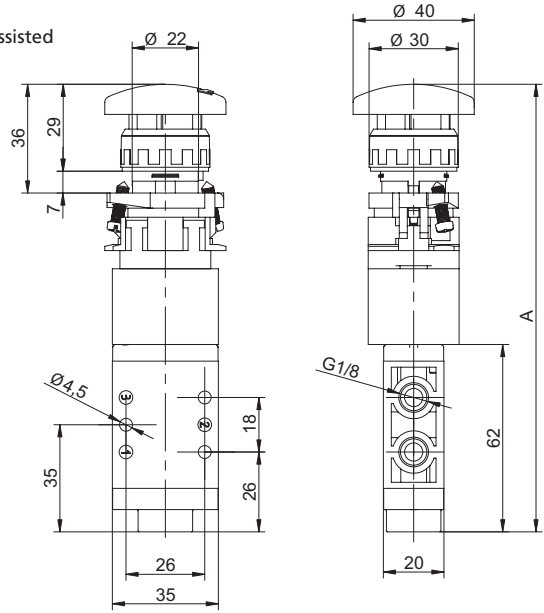
Panel Drilling Plan



3/2-way Panel Mounted Spool Valves - G 1/8 (D_{nom} 6 mm)

SECTION C

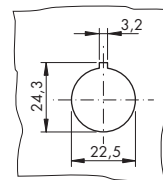
- Actuation:** Type A: Punch button
 Type C: Mushroom pushbutton
Return: Type A & B: Maintained position
 Type C & D: Spring
Actuation Force: Type A: 35 N (6 bar approx.)
 Type B: 8 N (6 bar approx.)



SERIES 76
MECHANICALLY ACTUATED
VALVES

Code	A	Symbol	Code	A	Symbol
76.022.44.21 (Type A)	148		76.022.43.21 (Type C)	148	
76.022.54.21 (Type B)	155		76.022.53.21 (Type D)	155	

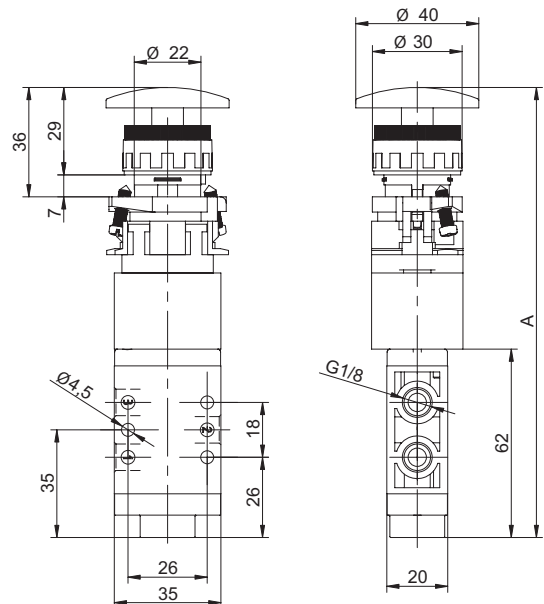
Panel Drilling Plan



3/2-way Panel Mounted Spool Valves - G 1/8 (D_{nom} 6 mm)

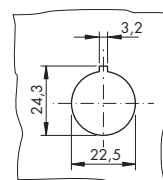
SECTION C

- Actuation:** Type A: Wobblebutton
 Type B: Wobblebutton air pilot assisted
Return: Type A & B: Spring
Actuation Force: Type A: 35 N (6 bar approx.)
 Type B: 8 N (6 bar approx.)



Code	A	Symbol
76.022.45.21 (Type A)	148	
76.022.55.21 (Type B)	155	

Panel Drilling Plan



Note: Actuation operated by pushing down or to the side.

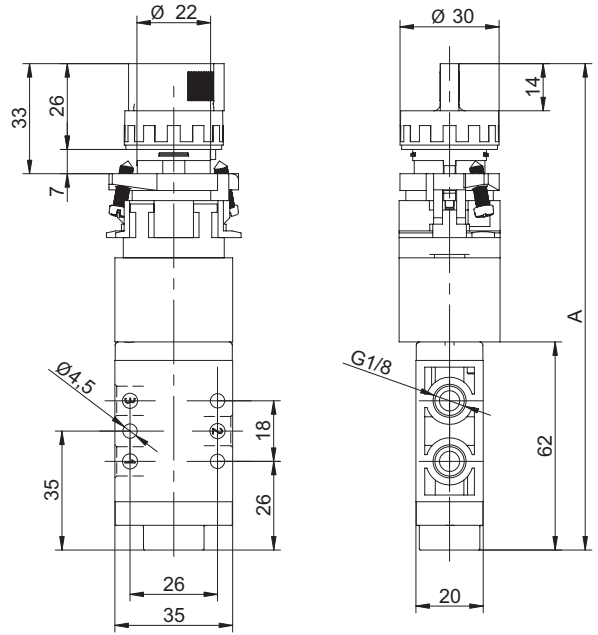
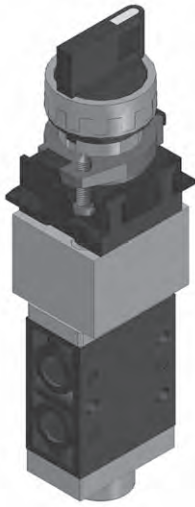
3/2-way Panel Mounted Spool Valves - G 1/8 (D_{nom} 6 mm)

SECTION C

SERIES 76
MECHANICALLY ACTUATED
VALVES

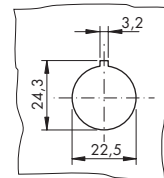
Actuation: Type A: Selector switch, short handle
Type B: Selector switch, short handle, air pilot assisted

Return: Type A & B: Maintained position



Code	A	Symbol
76.022.46.21 (Type A)	145	
76.022.56.21 (Type B)	152	

Panel Drilling Plan

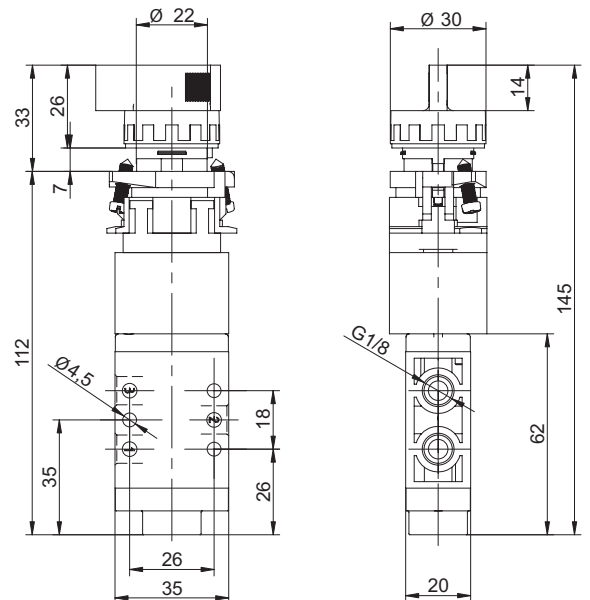
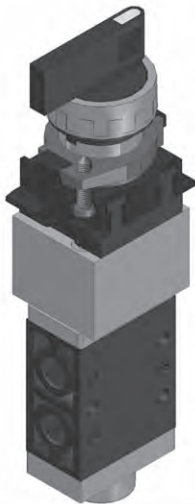


3/2-way Panel Mounted Spool Valves - G 1/8 (D_{nom} 6 mm)

SECTION C

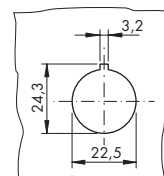
Actuation: Type A: Selector switch, long handle
Type B: Selector switch, long handle, air pilot assisted

Return: Type A & B: Maintained position



Code	A	Symbol
76.022.47.21 (Type A)	145	
76.022.57.21 (Type B)	152	

Panel Drilling Plan

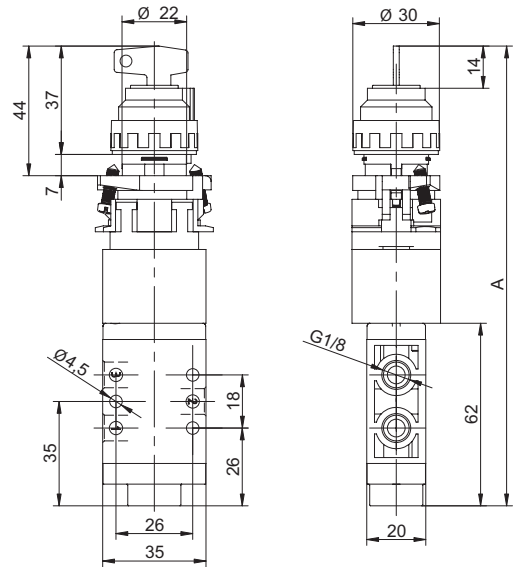
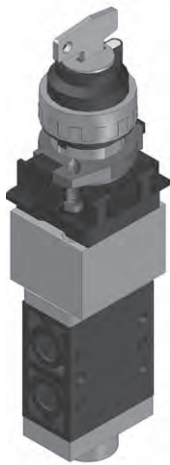


3/2-way Panel Mounted Spool Valves - G 1/8 (D_{nom} 6 mm)

SECTION C

Actuation: Type A: Key operated, 2 position selector
 Type B: Key operated, 2 position selector, air pilot assisted

Return: Type A & B: Maintained position

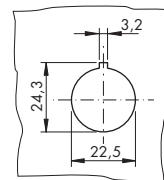


SERIES 76
MECHANICALLY ACTUATED
VALVES

Code	A	Symbol
76.022.48.21 (Type A)	156	
76.022.58.21 (Type B)	163	

*Note: The key is retractable only in off position.
 The keys are unique and not available as spares.*

Panel Drilling Plan

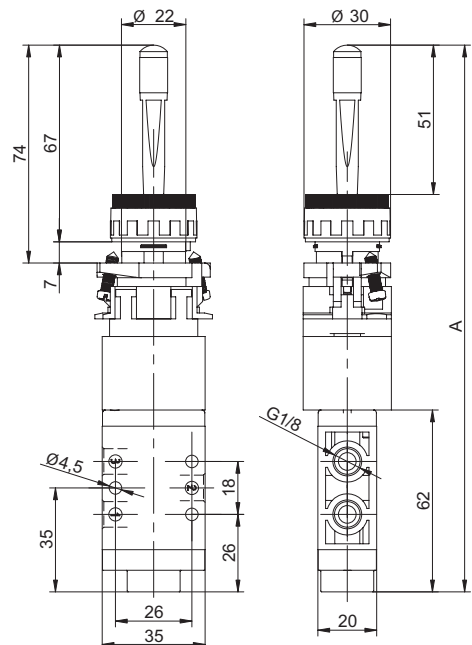
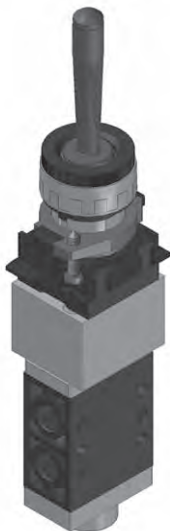


3/2-way Panel Mounted Spool Valves - G 1/8 (D_{nom} 6 mm)

SECTION C

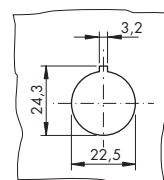
Actuation: Type A: Wobble stick, any direction
 Type B: Wobble stick, any direction, air pilot assisted

Return: Type A & B: Spring



Code	A	Symbol
76.022.49.21 (Type A)	186	
76.022.59.21 (Type B)	193	

Panel Drilling Plan



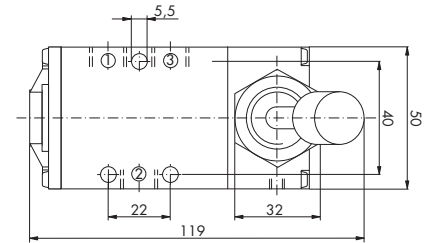
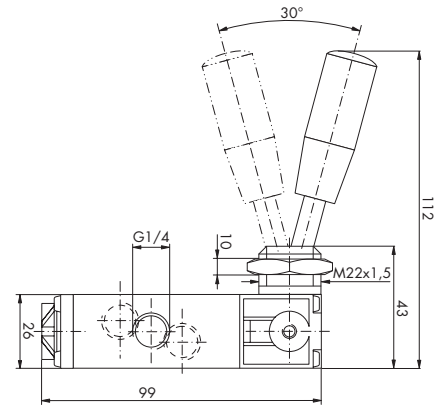
3/2-way Spool Valves - G 1/4 (D_{nom} 8 mm)

SECTION D

Actuation: Lever operated

Actuation Force: 15 N (6 bar approx.)

Return: Spring
Maintained position



Code	Return	Symbol
76.042.25.21	Spring	
76.042.25.00	Maintained position	

Note: bellows available with order code 76.420.00.55 (set 5 pcs).

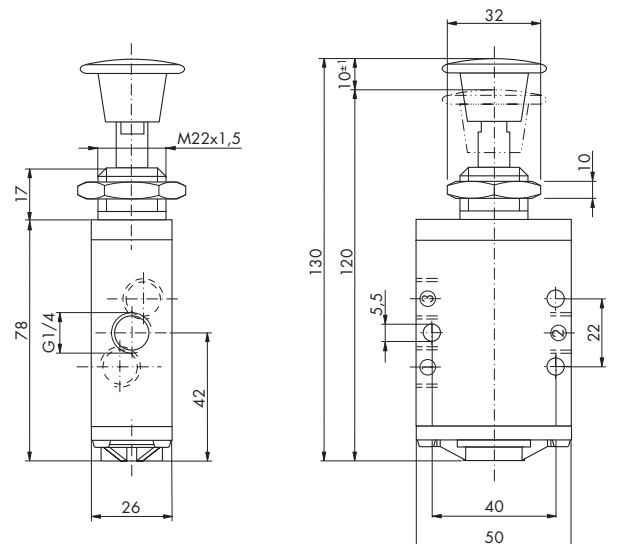
3/2-way Spool Valves - G 1/4 (D_{nom} 8 mm)

SECTION D

Actuation: Knob pushbutton

Actuation Force: 50 N (6 bar approx.)

Return: Spring
Maintained position



Code	Return	Symbol
76.042.27.21	Spring	
76.042.27.00	Maintained position	

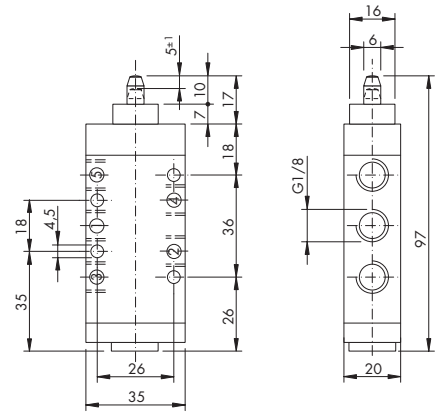
5/2-way Spool Valves - G 1/8 (D_{nom} 6 mm)

SECTION E

Actuation: Plunger

Actuation Force: 35 N (6 bar approx.)

Return: Spring



Code	Symbol
76.023.21.41	

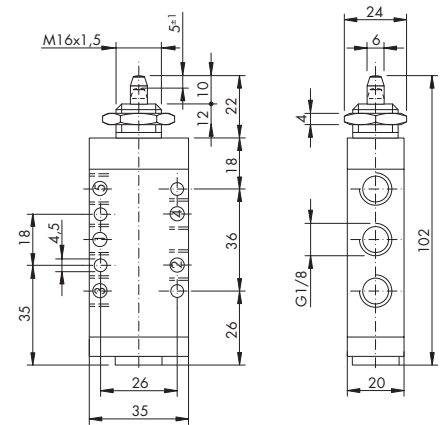
5/2-way Spool Valves - G 1/8 (D_{nom} 6 mm)

SECTION E

Actuation: Plunger

Actuation Force: 35 N (6 bar approx.)

Return: Spring



Code	Symbol
76.023.22.41	

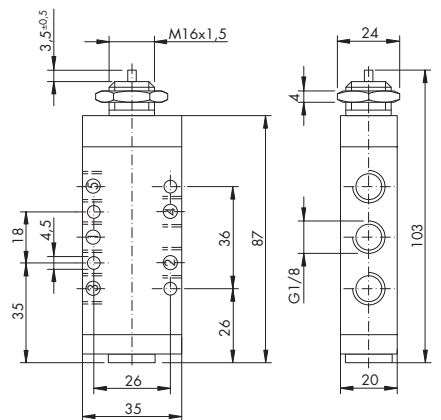
5/2-way Spool Valves - G 1/8 (D_{nom} 6 mm)

SECTION E

Actuation: Plunger, air pilot assisted

Actuation Force: 8 N (6 bar approx.)

Return: Spring



Code	Symbol
76.023.32.41	

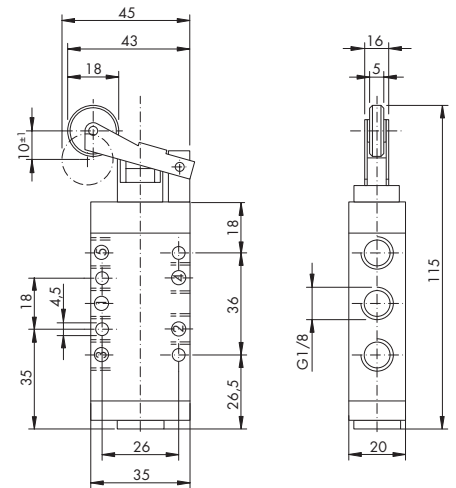
5/2-way Spool Valves - G 1/8 (D_{nom} 6 mm)

SECTION E

Actuation: Roller lever

Actuation Force: 20 N (6 bar approx.)

Return: Spring



Code	Symbol
76.023.23.41	

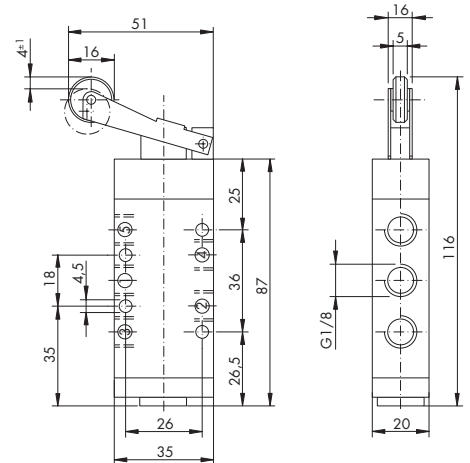
5/2-way Spool Valves - G 1/8 (D_{nom} 6 mm)

SECTION E

Actuation: Roller lever, air pilot assisted

Actuation Force: 4 N (6 bar approx.)

Return: Spring



Code	Symbol
76.023.33.41	

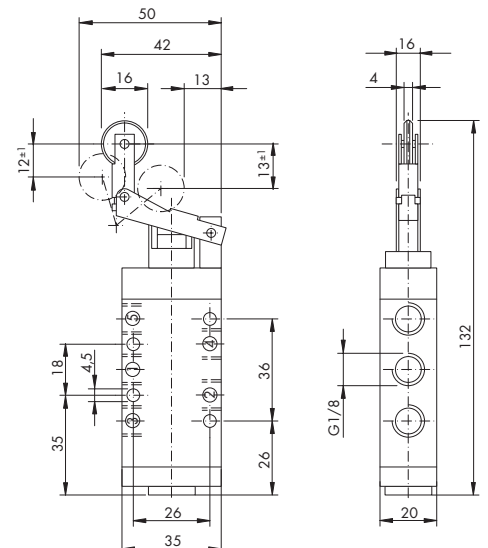
5/2-way Spool Valves - G 1/8 (D_{nom} 6 mm)

SECTION E

Actuation: One way lever trip

Actuation Force: 20 N (6 bar approx.)

Return: Spring



Code	Symbol
76.023.24.41	

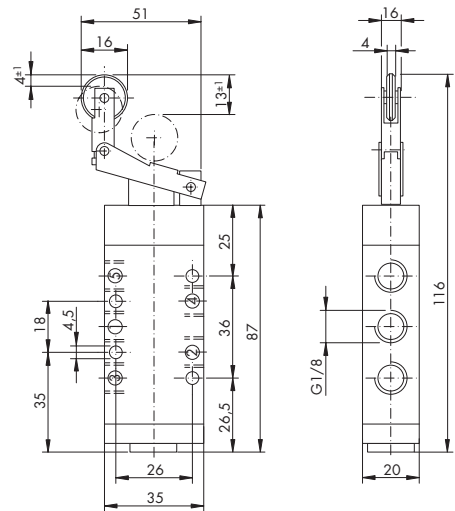
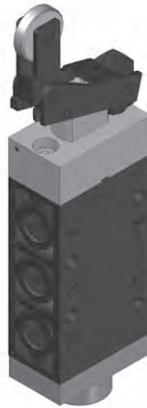
5/2-way Spool Valves - G 1/8 (D_{nom} 6 mm)

SECTION E

Actuation: One way lever trip, air pilot assisted

Actuation Force: 4 N (6 bar approx.)

Return: Spring



Code	Symbol
76.023.34.41	

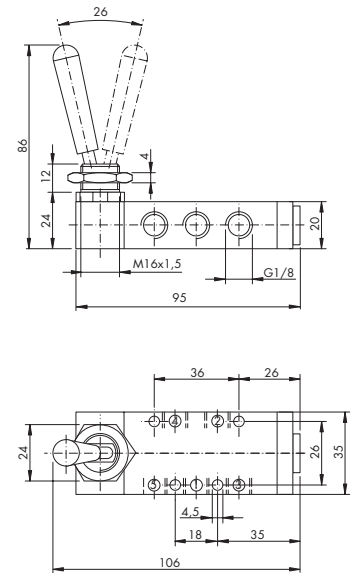
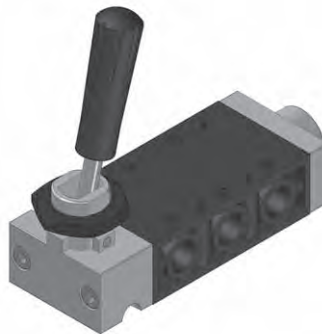
SERIES 76
MECHANICALLY ACTUATED
VALVES

5/2-way Spool Valves - G 1/8 (D_{nom} 6 mm)

SECTION E

Actuation: Lever operated

Return: Spring
Maintained position



Code	Return	Symbol
76.023.25.40	Maintained position	
76.023.25.41	Spring	

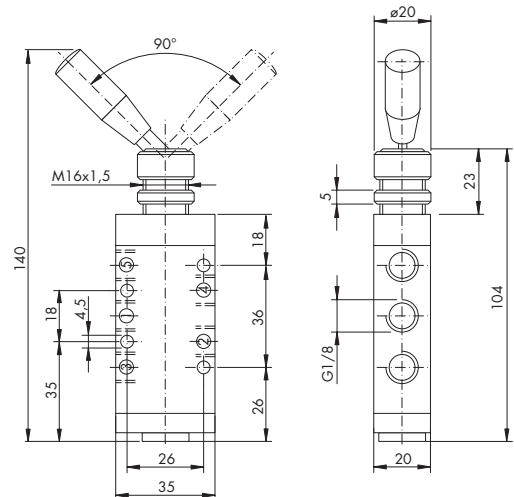
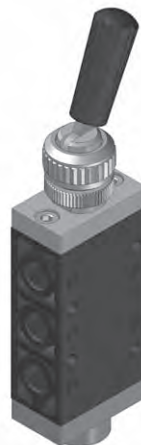
Note: bellows available with order code 76.420.00.54 (set 5 pcs).

5/2-way Spool Valves - G 1/8 (D_{nom} 6 mm)

SECTION E

Actuation: Lever operated

Return: Maintained position



Code	Symbol
76.023.26.41	

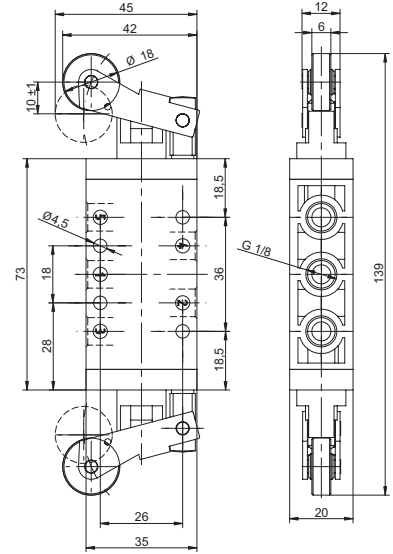
5/2-way Spool Valves - G 1/8 (D_{nom} 6 mm)

SECTION E

Actuation: Roller lever

Return: Roller lever

SERIES 76
MECHANICALLY ACTUATED
VALVES



Code	Symbol
76.023.23.10	

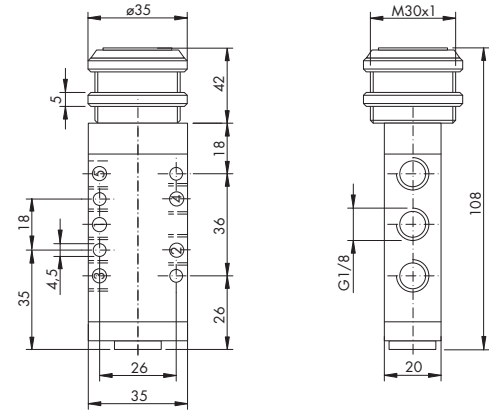
5/2-way Spool Valves - G 1/8 (D_{nom} 6 mm)

SECTION E

Actuation: Shrouded head pushbutton

Actuation Force: 35 N (6 bar approx.)

Return: Spring



Code	Pushbutton	Symbol
76.023.62.41	red	
76.023.62.44	green	
76.023.62.43	black	

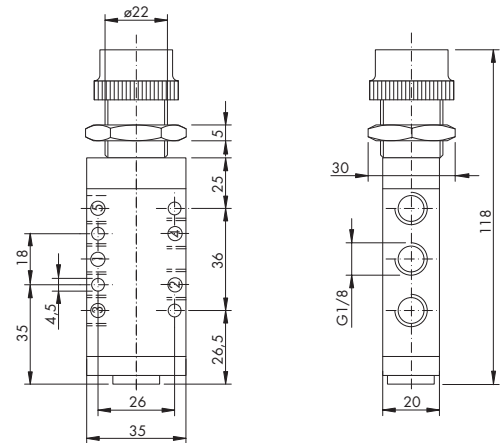
5/2-way Spool Valves - G 1/8 (D_{nom} 6 mm)

SECTION E

Actuation: Shrouded head pushbutton, air pilot assisted

Actuation Force: 8 N (6 bar approx.)

Return: Spring



Code	Pushbutton	Symbol
76.023.66.41	red	
76.023.66.44	green	
76.023.66.43	black	

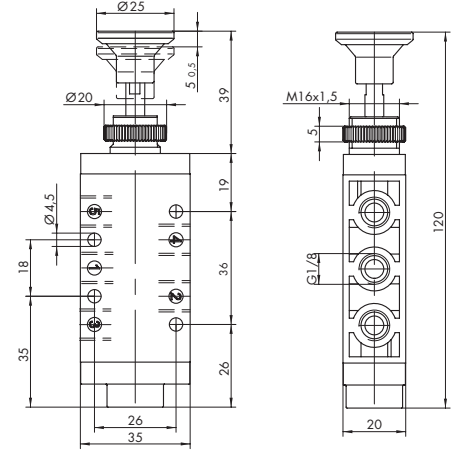
5/2-way Spool Valves - G 1/8 (D_{nom} 6 mm)

SECTION E

Actuation: Knob pushbutton

Actuation Force: 35 N (6 bar approx.)

Return: Spring
Maintained position



Code	Return	Symbol
76.023.27.40	Maintained position	
76.023.27.41	Spring	

SERIES 76
MECHANICALLY ACTUATED
VALVES

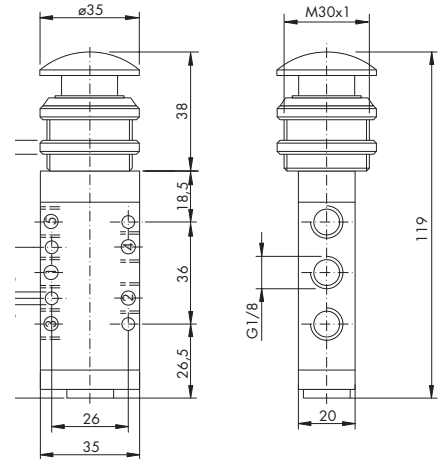
5/2-way Spool Valves - G 1/8 (D_{nom} 6 mm)

SECTION E

Actuation: Mushroom pushbutton

Actuation Force: 35 N (6 bar approx.)

Return: Spring



Code	Pushbutton	Symbol
76.023.61.41	red	
76.023.61.44	green	
76.023.61.43	black	

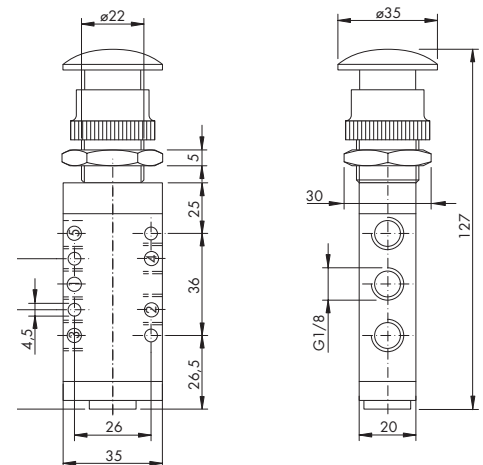
5/2-way Spool Valves - G 1/8 (D_{nom} 6 mm)

SECTION E

Actuation: Mushroom pushbutton, air pilot assisted

Actuation Force: 8 N (6 bar approx.)

Return: Spring



Code	Pushbutton	Symbol
76.023.65.41	red	
76.023.65.44	green	
76.023.65.43	black	

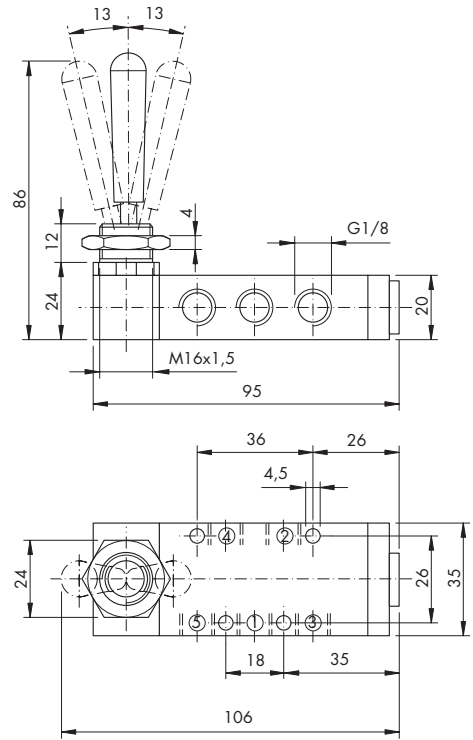
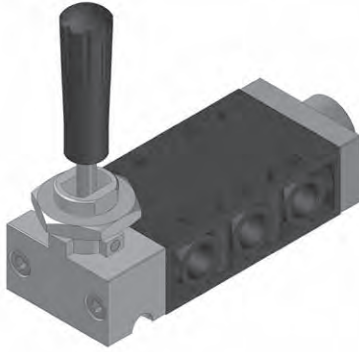
5/3-way Spool Valves - G 1/8 (D_{nom} 6 mm)

SECTION E

SERIES 76
MECHANICALLY ACTUATED
VALVES

Actuation: Lever operated

Return: Spring (return to centre)



Code	Function	Symbol
76.024.25.28	5/3 all ports exhaust	
76.024.25.38	5/3 all ports closed	

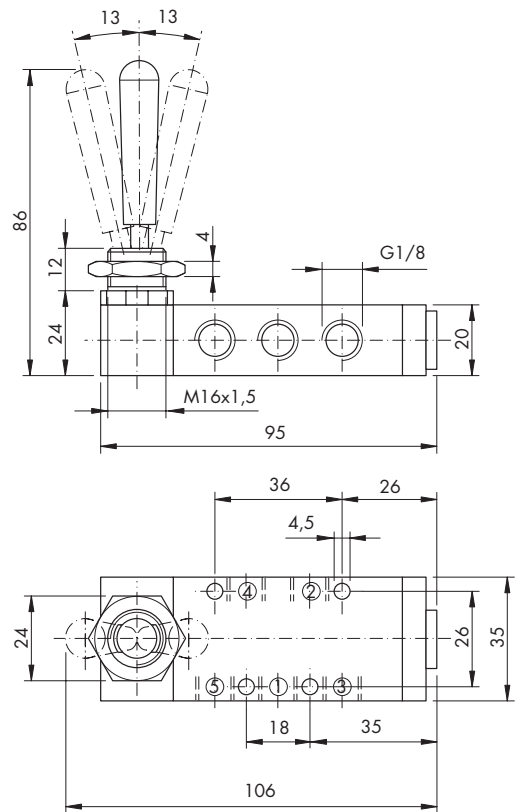
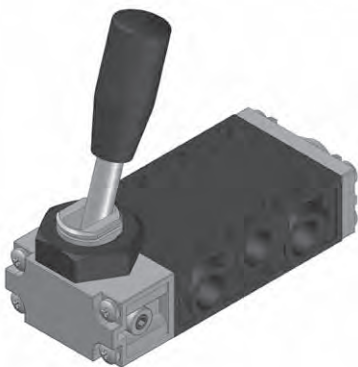
Note: Bellows available with order code 76.420.00.54 (set 5 pcs).

5/3-way Spool Valves - G 1/8 (D_{nom} 6 mm)

SECTION E

Actuation: Lever operated

Return: Maintained position



Code	Function	Symbol
76.024.25.29	5/3 all ports exhaust	
76.024.25.39	5/3 all ports closed	

Note: Bellows available with order code 76.420.00.54 (set 5 pcs).

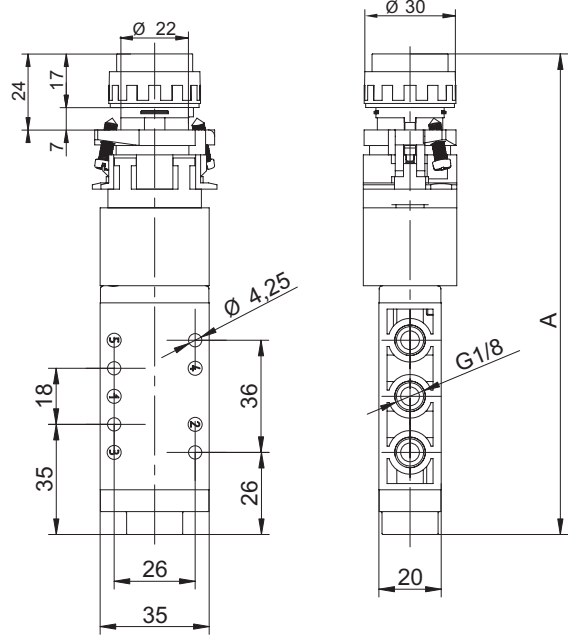
5/2-way Panel Mounted Spool Valves - G 1/8 (D_{nom} 6 mm)

SECTION F

Actuation: Type A: Raised pushbutton
 Type B: Raised pushbutton, air pilot assisted

Return: Type A & B: Spring

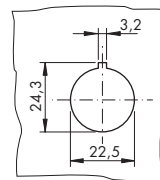
Actuation Force: Type A: 35 N (6 bar approx.)
 Type B: 8 N (6 bar approx.)



SERIES 76
MECHANICALLY ACTUATED
VALVES

Code	A	Symbol
76.023.41.41 (Type A)	155	
76.023.51.41 (Type B)	162	

Panel Drilling Plan



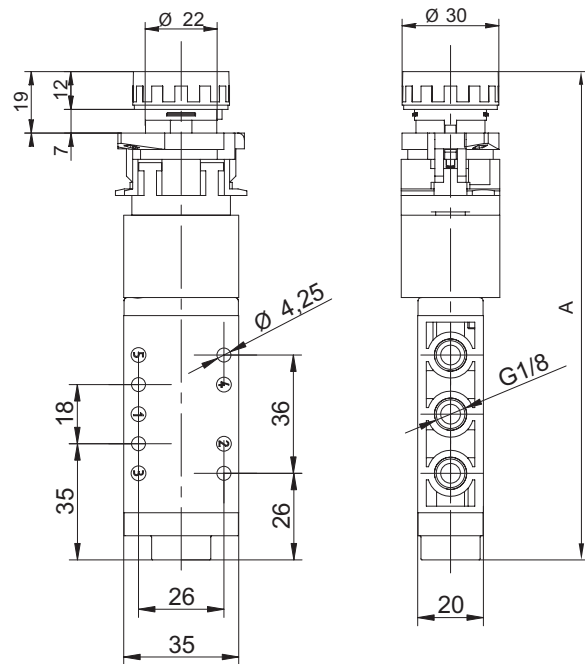
5/2-way Panel Mounted Spool Valves - G 1/8 (D_{nom} 6 mm)

SECTION F

Actuation: Type A: Shrouded head pushbutton
 Type B: Shrouded head pushbutton, air pilot assisted

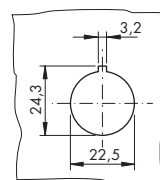
Return: Type A & B: Spring

Actuation Force: Type A: 35 N (6 bar approx.)
 Type B: 8 N (6 bar approx.)



Code	A	Symbol
76.023.42.41 (Type A)	149	
76.023.52.41 (Type B)	156	

Panel Drilling Plan



5/2-way Panel Mounted Spool Valves - G 1/8 (D_{nom} 6 mm)

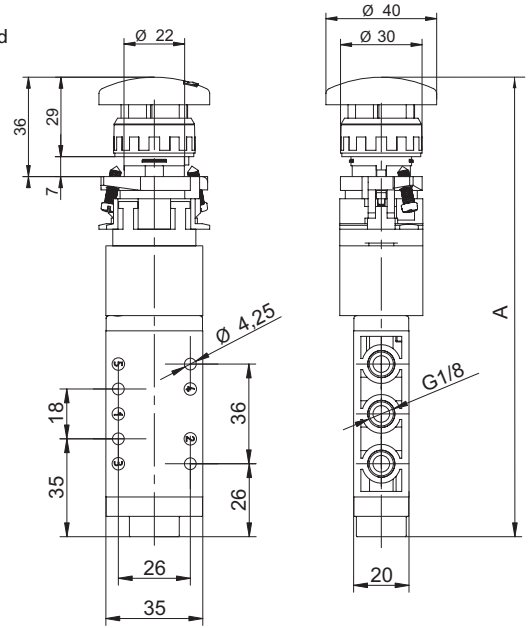
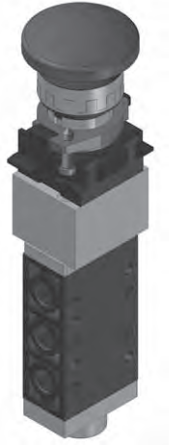
SECTION F

SERIES 76
MECHANICALLY ACTUATED
VALVES

Actuation: Type A: Punch button Type B: Punch button, air pilot assisted
 Type C: Mushroom pushbutton Type D: Mushroom pushbutton, air pilot assisted

Return: Type A & B: Maintained position Type C & D: Spring

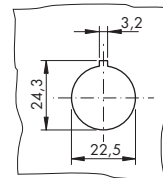
Actuation Force: Type A: 35 N (6 bar approx.) Type B: 8 N (6 bar approx.)



Code	A	Symbol
76.023.44.41 (Type A)	165	
76.023.54.41 (Type B)	172	

Code	A	Symbol
76.023.43.41 (Type C)	165	
76.023.53.41 (Type D)	172	

Panel Drilling Plan



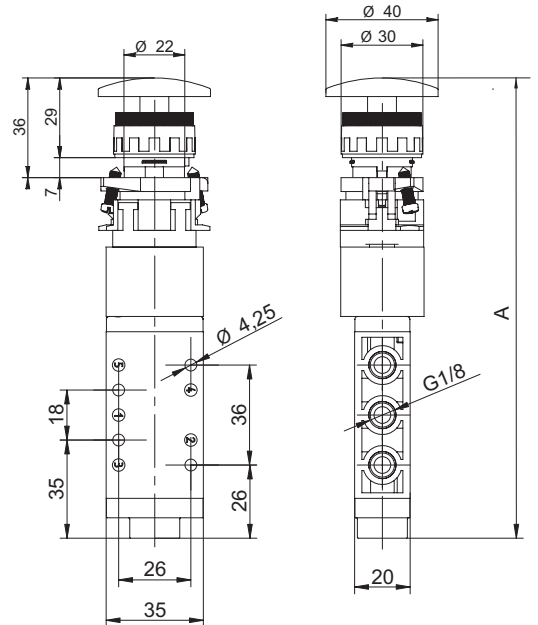
5/2-way Panel Mounted Spool Valves - G 1/8 (D_{nom} 6 mm)

SECTION F

Actuation: Type A: Wobblebutton
 Type B: Wobblebutton, air pilot assisted

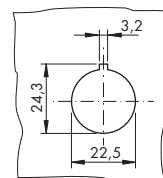
Return: Type A & B: Spring

Actuation Force: Type A: 35 N (6 bar approx.)
 Type B: 8 N (6 bar approx.)



Code	A	Symbol
76.023.45.41 (Type A)	165	
76.023.55.41 (Type B)	172	

Panel Drilling Plan



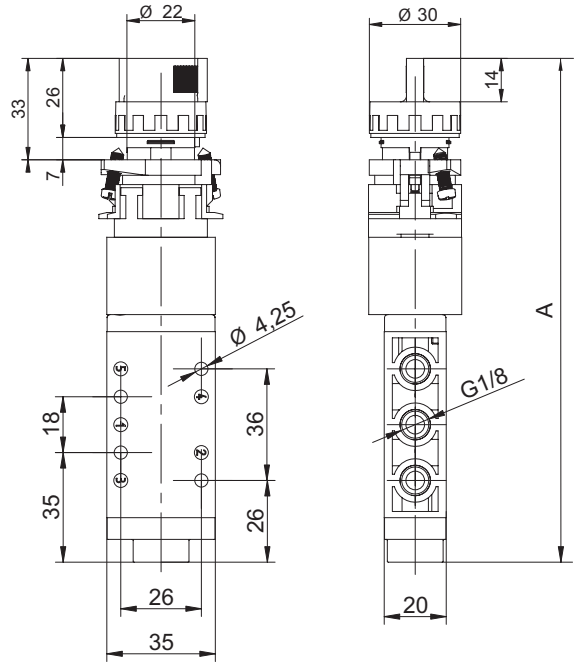
Note: Actuation operated by pushing down or to the side.

5/2-way Panel Mounted Spool Valves - G 1/8 (D_{nom} 6 mm)

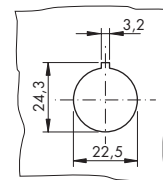
SECTION F

Actuation: Type A: Selector switch, short handle
 Type B: Selector switch, short handle, air pilot assisted

Return: Type A & B: Maintained position



Panel Drilling Plan



Code	A	Symbol
76.023.46.41 (Type A)	162	
76.023.56.41 (Type B)	169	

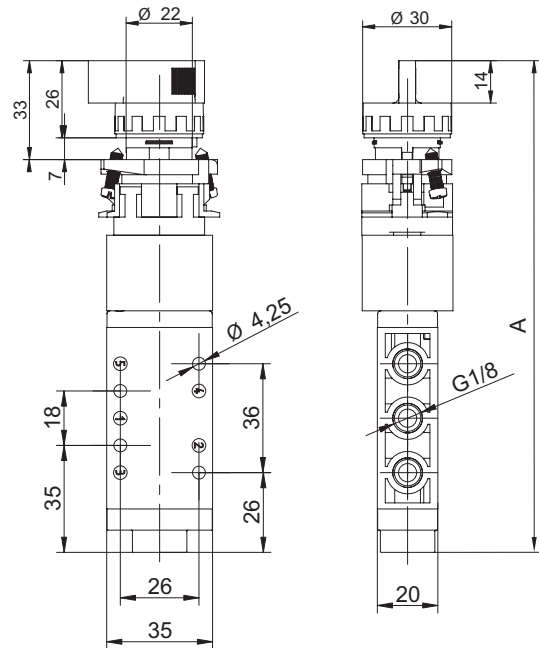
SERIES 76
MECHANICALLY ACTUATED
VALVES

5/2-way Panel Mounted Spool Valves - G 1/8 (D_{nom} 6 mm)

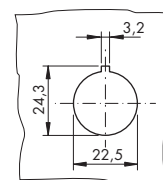
SECTION F

Actuation: Type A: Selector switch, long handle
 Type B: Selector switch, long handle, air pilot assisted

Return: Type A & B: Maintained position



Panel Drilling Plan



Code	A	Symbol
76.023.47.41 (Type A)	162	
76.023.57.41 (Type B)	169	

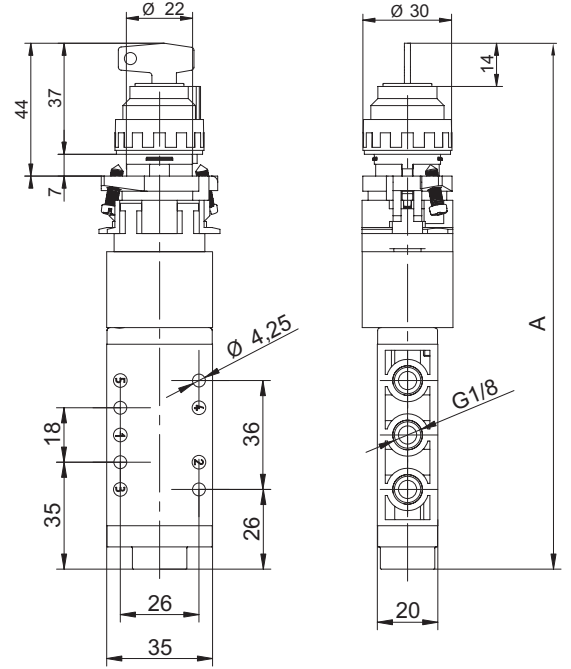
5/2-way Panel Mounted Spool Valves - G 1/8 (D_{nom} 6 mm)

SECTION F

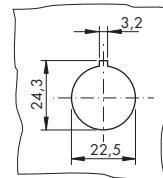
SERIES 76
MECHANICALLY ACTUATED
VALVES

Actuation: Type A: Key operated, 2 position selector
Type B: Key operated, 2 position selector, air pilot assisted

Return: Type A & B: Maintained position



Panel Drilling Plan



Code	A	Symbol
76.023.48.41 (Type A)	174	
76.023.58.41 (Type B)	181	

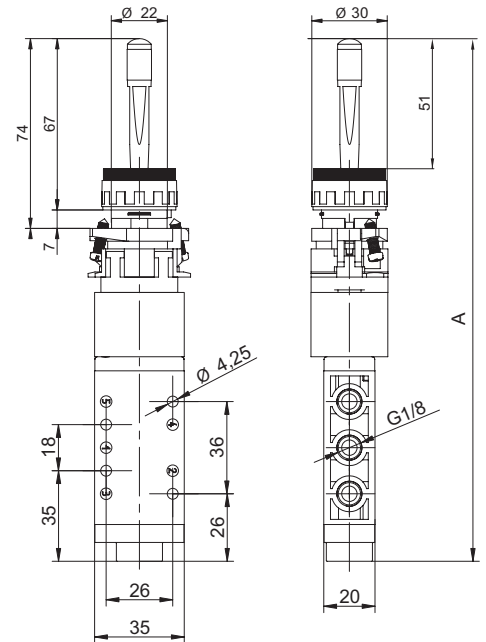
Note: The key is retractable only in off position.
The keys are unique and not available as spares.

5/2-way Panel Mounted Spool Valves - G 1/8 (D_{nom} 6 mm)

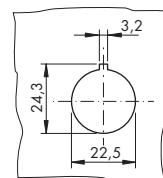
SECTION F

Actuation: Type A: Wobble stick, any direction
Type B: Wobble stick, any direction, air pilot assisted

Return: Type A & B: Spring



Panel Drilling Plan



Code	A	Symbol
76.023.49.41 (Type A)	204	
76.023.59.41 (Type B)	211	

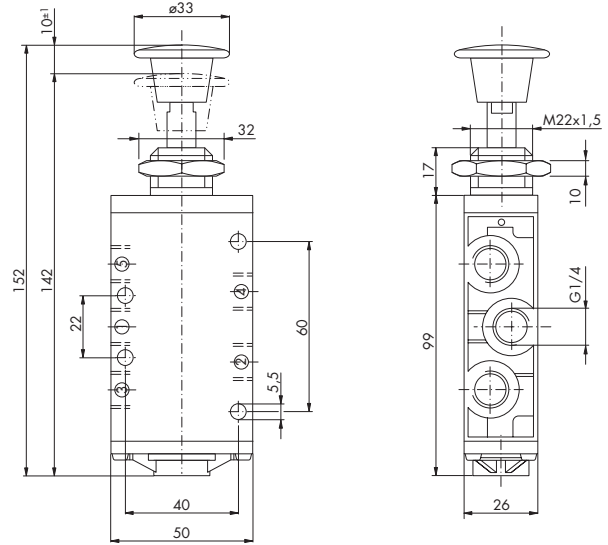
5/2-way Spool Valves - G 1/4 (D_{nom} 8 mm)

SECTION G

Actuation: Knob Pushbutton

Actuation Force: 50 N (6 bar approx.)

Return: Spring
Maintained position



Code	Return	Symbol
76.043.27.40	Maintained position	
76.043.27.41	Spring	

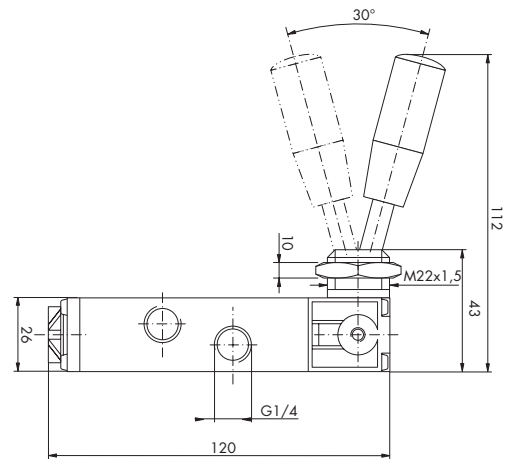
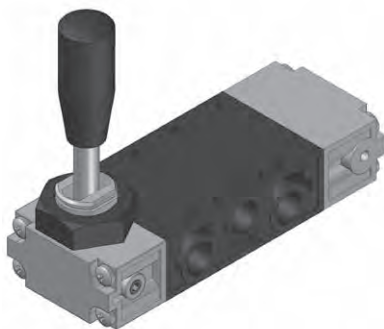
5/2-way Spool Valves - G 1/4 (D_{nom} 8 mm)

SECTION G

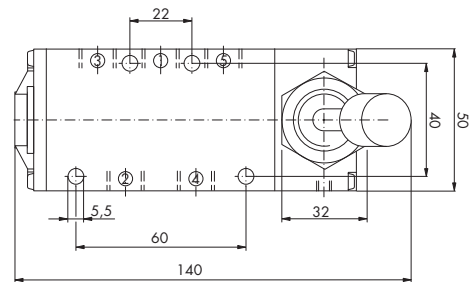
Actuation: Lever operated

Actuation Force: 20 N (6 bar approx.)

Return: Spring
Maintained position



Code	Return	Symbol
76.043.25.40	Maintained position	
76.043.25.41	Spring	



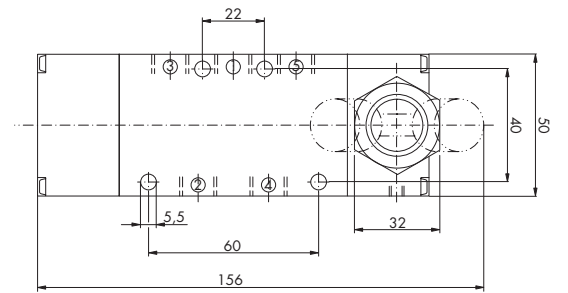
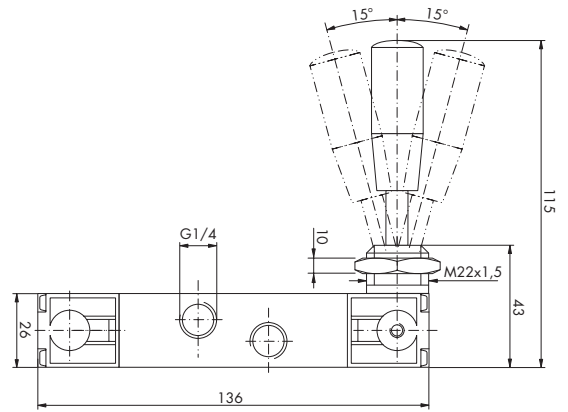
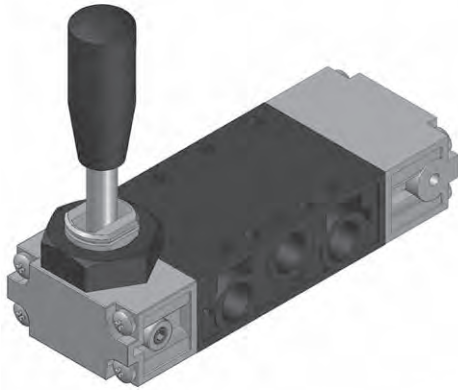
Note: Bellows available with order code 76.420.00.55 (set 5 pcs).

5/3-way Spool Valves - G 1/4 (D_{nom} 8 mm)

SECTION G

Actuation: Lever operated

Return: Spring (return to centre)



Code	Function	Symbol
76.044.25.28	5/3 all ports exhaust	
76.044.25.38	5/3 all ports closed	

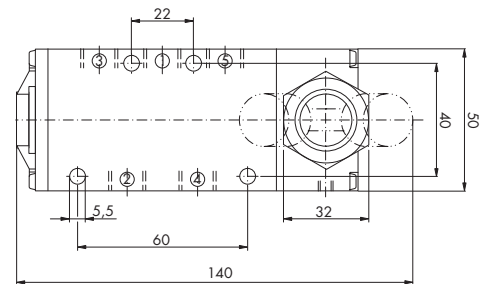
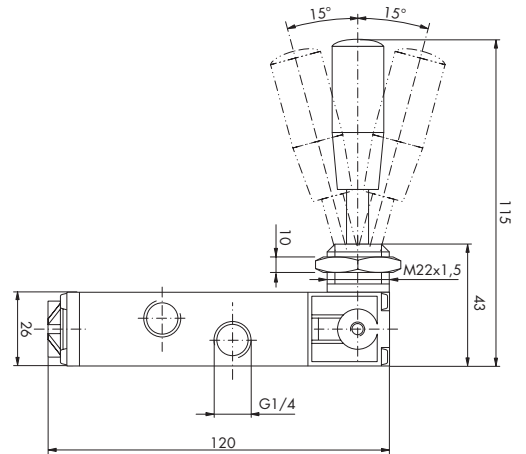
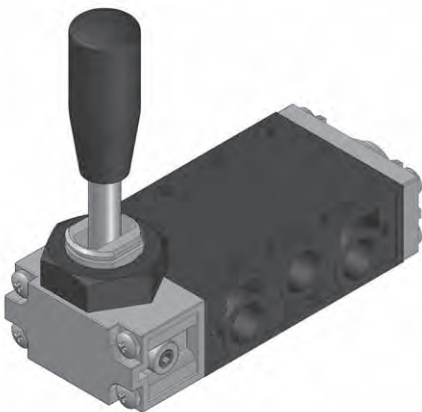
Note: Bellows available with order code 76.420.00.55 (set 5 pcs).

5/3-way Spool Valves - G 1/4 (D_{nom} 8 mm)

SECTION G

Actuation: Lever operated

Return: Maintained position



Code	Function	Symbol
76.044.25.29	5/3 all ports exhaust	
76.044.25.39	5/3 all ports closed	

Note: Bellows available with order code 76.420.00.55 (set 5 pcs).

Servocontrolled Valves (air pilot assisted)

SECTION H

76 series valves (air pilot assisted versions) are also available in servo control configuration. Valve functions only when inlet pressure is present.

Please, contact our sales department for other type of these valves.

Code	Function	Press. Conn.	Valve Type	Housing	Actuation	Return		
76.026.60.31	3/2 NO	G1/8	Poppet valves	Die-cast and varnished aluminium alloy	Plunger	Spring		
76.026.63.31					Antenna	Spring		
76.026.64.31					Shrouded head pushbutton	Spring		
76.026.67.31					Mushroom pushbutton	Spring		
76.046.60.31		G1/4			Plunger	Spring		
76.046.64.31					Shrouded head pushbutton	Spring		
76.046.67.31					Mushroom pushbutton	Spring		
76.046.70.31					Roller lever	Spring		
76.026.60.21	3/2 NC	G1/8	Poppet valves	Die-cast and varnished aluminium alloy	Plunger	Spring		
76.026.63.21					Antenna	Spring		
76.026.64.21					Shrouded head pushbutton	Spring		
76.026.67.21					Mushroom pushbutton	Spring		
76.026.74.21		One way lever trip			Spring			
76.046.60.21		G1/4			Plunger	Spring		
76.046.63.21					Antenna	Spring		
76.046.64.21					Shrouded head pushbutton	Spring		
76.046.67.21	Mushroom pushbutton		Spring					
76.046.70.21	Roller lever	Spring						
76.046.74.21	One way lever trip	Spring						
76.027.60.10	5/2	G1/8	Poppet valves	Die-cast and varnished aluminium alloy	Plunger	Plunger		
76.027.60.41					Plunger	Spring		
76.027.60.42					Plunger	Pneumatic		
76.027.64.41					Shrouded head pushbutton	Spring		
76.027.67.41					Mushroom pushbutton	Spring		
76.027.67.60					Mushroom pushbutton	Plunger		
76.027.70.41					Roller lever	Spring		
76.027.74.41					One way lever trip	Spring		
76.047.60.10		G1/4			Poppet valves	Die-cast and varnished aluminium alloy	Plunger	Plunger
76.047.60.41							Plunger	Spring
76.047.64.41	Shrouded head pushbutton		Spring					
76.047.67.41	Mushroom pushbutton		Spring					
76.047.70.41	Roller lever		Spring					
76.047.74.41	One way lever trip		Spring					

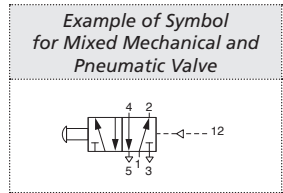
SERIES 76
MECHANICALLY ACTUATED
VALVES

Mixed Mechanical and Pneumatic Valves

SECTION H

SERIES 76
MECHANICALLY ACTUATED
VALVES

The 76 series range of valves is also available as mechanical actuation with pneumatic return (instead of return spring). Please contact our sales department for details of other variants not listed here.



Code	Function	Pressure connection	Valve Type	Housing	Actuation	Return				
76.022.21.22	3/2 NC	G1/8	Spool valves	Die-cast and varnished aluminium alloy	Plunger	Pneumatic				
76.022.23.22					Roller lever	Pneumatic				
76.022.25.22					Lever operated	Pneumatic				
76.022.27.22					Pushbutton	Pneumatic				
76.022.61.22					Mushroom pushbutton	Pneumatic				
76.022.62.22					Raised pushbutton	Pneumatic				
76.042.25.22		G1/4			Lever operated	Pneumatic				
76.023.21.42	5/2	G1/8	Spool valves	Die-cast and varnished aluminium alloy	Plunger	Pneumatic				
76.023.22.42					Toggle lever	Pneumatic				
76.023.23.42					Roller lever	Pneumatic				
76.023.24.42					One-way lever trip	Pneumatic				
76.023.25.42					Lever operated	Pneumatic				
76.023.27.42					Pushbutton	Pneumatic				
76.023.42.42					Shrouded head pushbutton	Pneumatic				
76.023.61.42					Mushroom pushbutton	Pneumatic				
76.023.62.42					Raised pushbutton	Pneumatic				
76.043.25.42						G1/4			Lever operated	Pneumatic
76.043.27.42									Pushbutton	Pneumatic

PNEUMATIC VALVES

General information

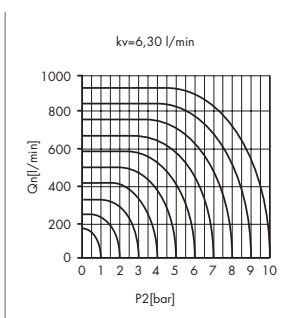
Function	Section	Pressure range	Pressure connection (nominal orifice)	Housing	Seals	Control pressure
3/2-way Poppet Valves (2/2-way function upon request)	A	0 - 10 bar	G 1/8 (4 mm)	die-cast and varnished zinc alloy	NBR - Vulkolan	3.5 - 10 bar (≥ pressure range)
3/2-way Poppet Valves (2/2-way function upon request)		0 - 10 bar	G 1/8 (6 mm) G 1/4 (8 mm)	die-cast and varnished aluminium alloy	NBR	3.5 - 10 bar (≥ pressure range)
3/2-way Poppet Valves		0 - 10 bar	G 1/2 (15 mm) (G1/8 control pressure)	varnished aluminium alloy	NBR	2.5 - 10 bar
3/2-way Spool Valves	B	0 - 10 bar	G 1/8 (6 mm)	die-cast and varnished zinc alloy	NBR	2.5 - 10 bar
5/2-way Poppet Valves	C	2.5 - 10 bar	G 1/8 (6 mm) G 1/4 (8 mm) G 1/2 (15 mm)	die-cast and varnished aluminium alloy (also available in zamak)	NBR	2.5 - 10 bar
5/2-way Spool Valves 5/3-way Spool Valves	D	2.5 - 10 bar	G 1/8 (6 mm) G 1/4 (8 mm)	die-cast and varnished aluminium alloy	NBR	2.5 - 10 bar
Monostable Flip-Flop Oscillator Logic Elements	E	0 - 10 bar	G 1/8 (6 mm) G 1/4 (8 mm)	die-cast and varnished zinc alloy	NBR	2.5 - 10 bar

Ambient temperature range: From -15 °C to +50 °C

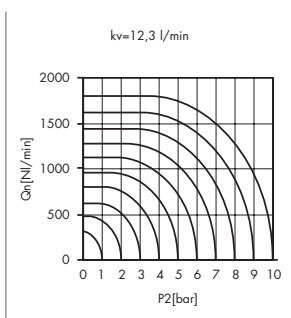
Mounting: Any position

Lubricant: Not required

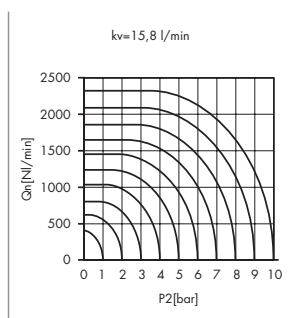
Operating medium: 5 micron filtered, lubricated (or not) compressed air; also suitable for other media conforming to ISO-VG 10



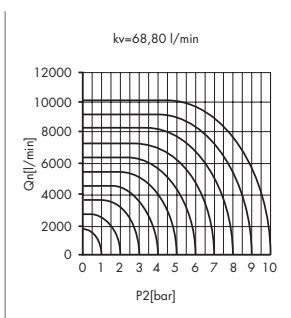
**Poppet Valves
Orifice 4 mm**



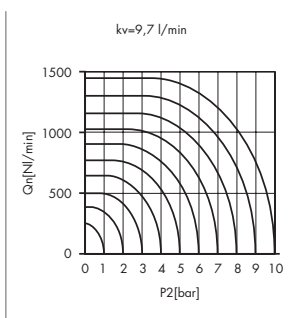
**Poppet Valves
Orifice 6 mm**



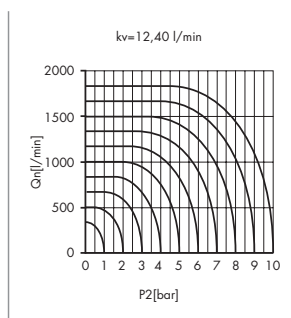
**Poppet Valves
Orifice 8 mm**



**Poppet Valves
Orifice 15 mm**



**Spool Valves
Orifice 6 mm**



**Spool Valves
Orifice 8 mm**

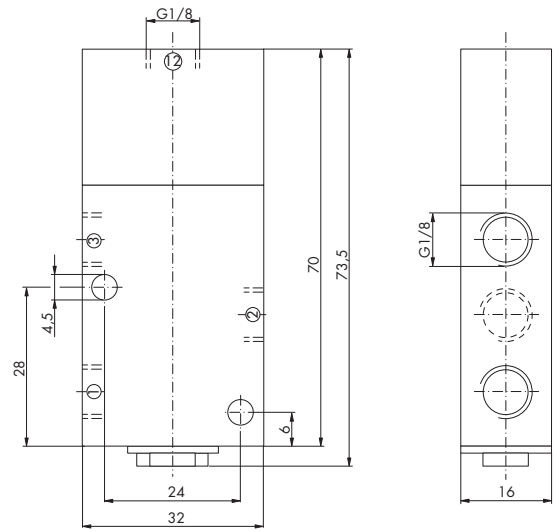
3/2-way Poppet Valves - G 1/8 (D_{nom} 4 mm)

SECTION A

Actuation: Pressure at 12

Return: Spring

SERIES 76
PNEUMATIC VALVES



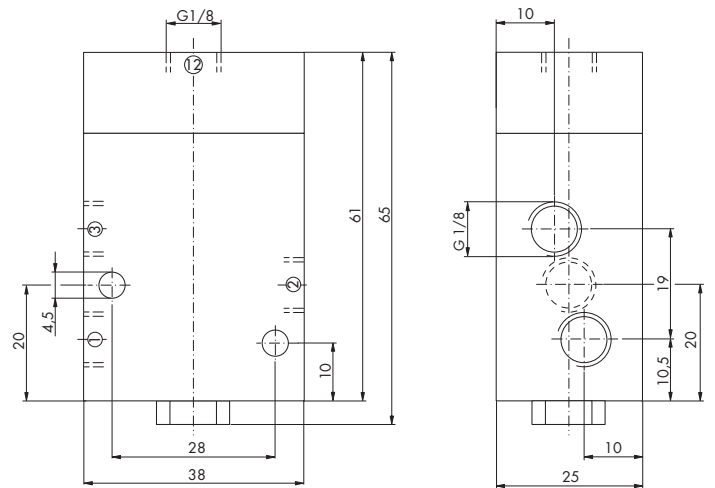
Code	Type	Symbol
76.036.71.21	NC	

3/2-way Poppet Valves - G 1/8 (D_{nom} 6 mm)

SECTION A

Actuation: Pressure at 12

Return: Spring



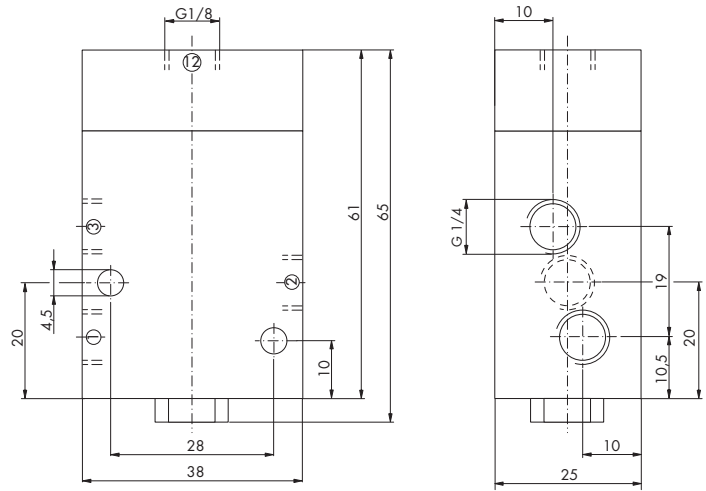
Code	Type	Symbol
76.026.71.31	NO	
76.026.71.21	NC	

3/2-way Poppet Valves - G 1/4 (D_{nom} 8 mm)

SECTION A

Actuation: Pressure at 12

Return: Spring



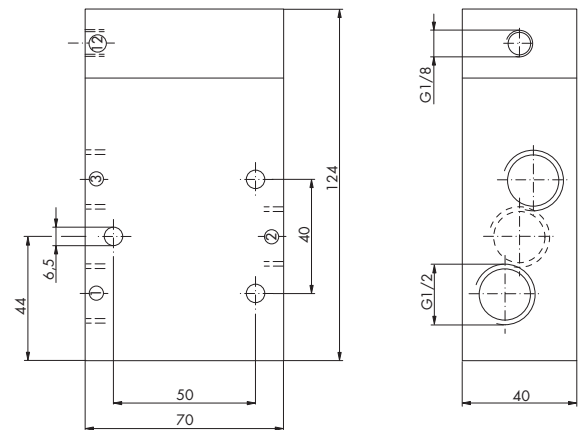
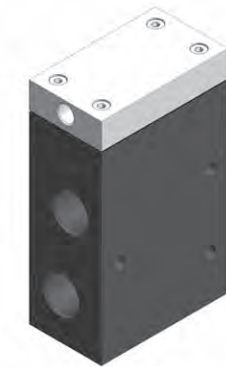
Code	Type	Symbol
76.046.71.31	NO	
76.046.71.21	NC	

3/2-way Poppet Valves - G 1/2 (D_{nom} 15 mm)

SECTION A

Actuation: Pressure at 12

Return: Spring



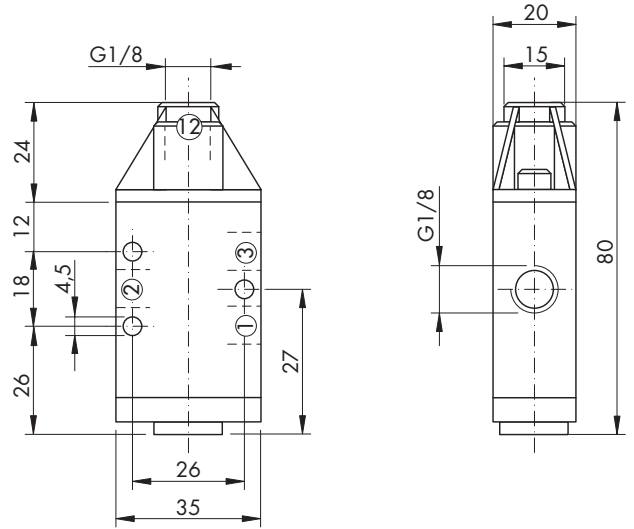
Code	Type	Symbol
76.066.81.31	NO	
76.066.81.21	NC	

3/2-way Spool Valves - G 1/8 (D_{nom} 6 mm)

SECTION B

Actuation: Pressure at 12

Return: Spring



SERIES 76
PNEUMATIC VALVES

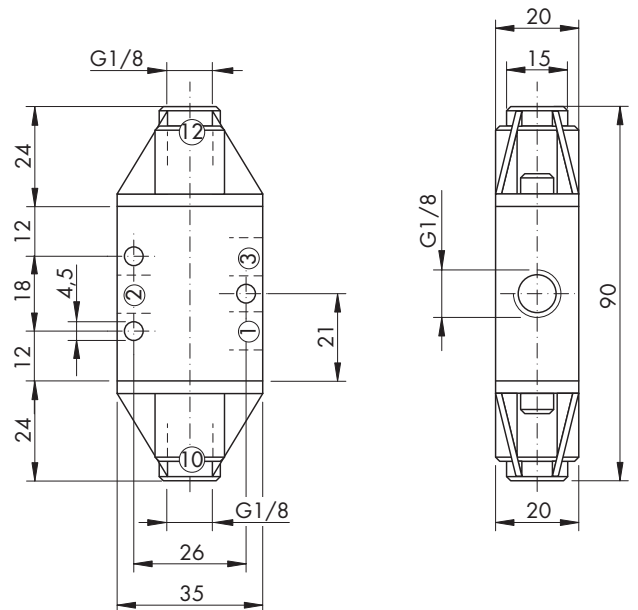
Code	Type	Symbol
76.022.71.21	NC	

3/2-way Spool Valves - G 1/8 (D_{nom} 6 mm)

SECTION B

Actuation: Pressure at 12

Return: Pressure at 10



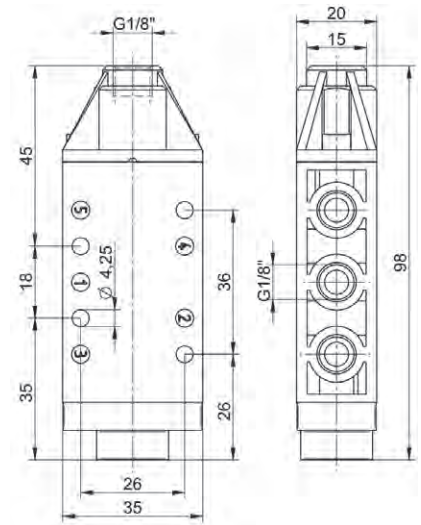
Code	Type	Symbol
76.022.71.22	NC	

5/2-way Spool Valves - G 1/8 (D_{nom} 6 mm)

SECTION C

Actuation: Pressure at 14

Return: Spring (pressure supported)



SERIES 76
PNEUMATIC VALVES

Code	Housing	Symbol
KE.023.71.41	Zamak	

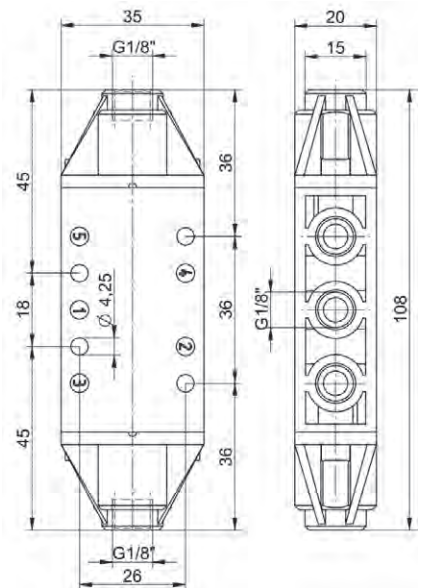
Note: Min. control pressure at 14 ≥ as pressure at 1.

5/2-way Spool Valves - G 1/8 (D_{nom} 6 mm)

SECTION C

Actuation: Pressure at 14

Return: Pressure at 12
Pressure at 12 with 14 priority



Code	Housing	Return	Symbol
KE.023.71.42	Zamak	Pressure at 12 with 14 priority	
KE.023.71.47	Zamak	Pressure at 12	

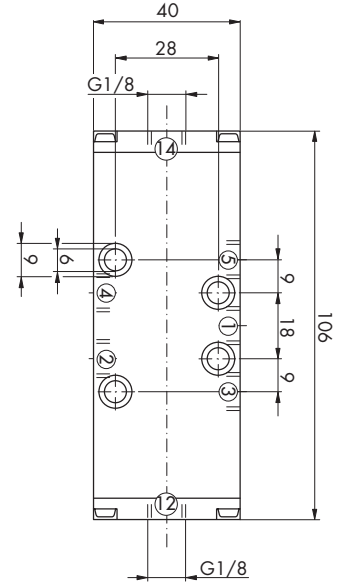
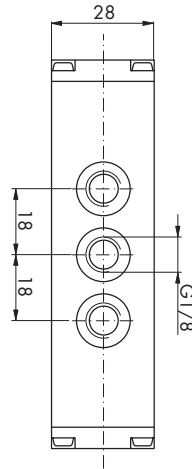
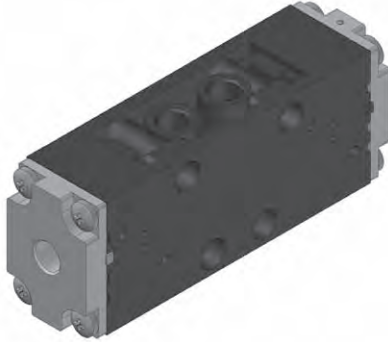
5/2-way Poppet Valves - G 1/8 (D_{nom} 6 mm)

SECTION C

Actuation: Pressure at 14

Return: Spring (pressure supported)
 Pressure at 12
 Pressure at 12 with 14 priority

SERIES 76
 PNEUMATIC VALVES



Code	Return	Symbol
76.027.71.41*	Spring	
76.027.71.42	Pressure at 12	
76.027.71.47	Pressure at 12 with 14 priority	

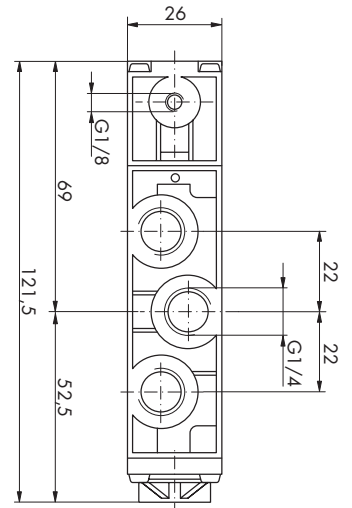
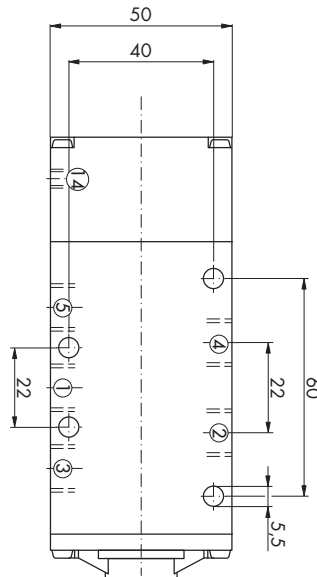
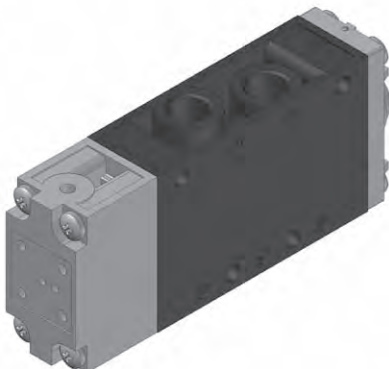
*Note: Min. control pressure at 14 ≥ as pressure at 1.

5/2-way Poppet Valves - G 1/4 (D_{nom} 8 mm)

SECTION C

Actuation: Pressure at 14

Return: Spring (pressure supported)



Code	Symbol
76.047.81.41	

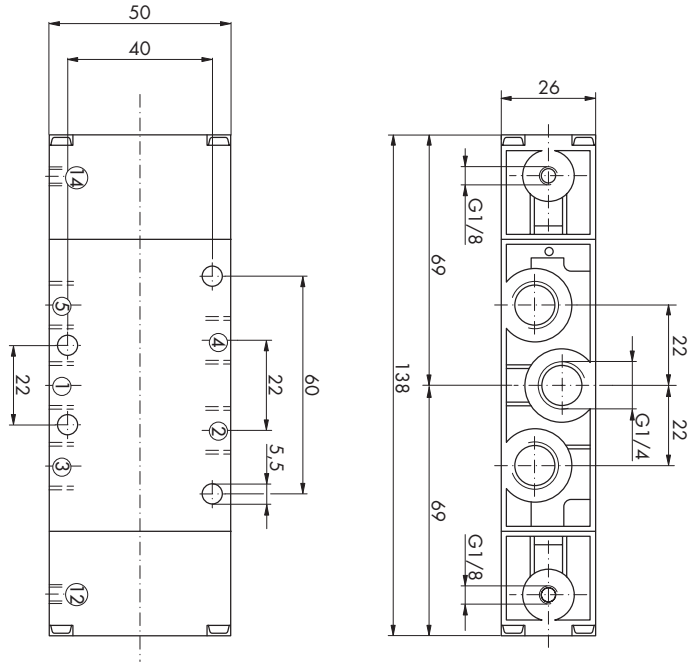
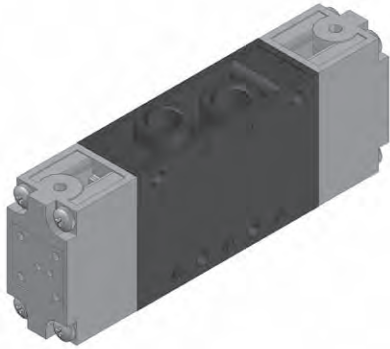
Note: Min. control pressure at 14 ≥ as pressure at 1.

5/2-way Poppet Valves - G 1/4 (D_{nom} 8 mm)

SECTION C

Actuation: Pressure at 14

Return: Pressure at 12
Pressure at 12 with 14 priority



SERIES 76
PNEUMATIC VALVES

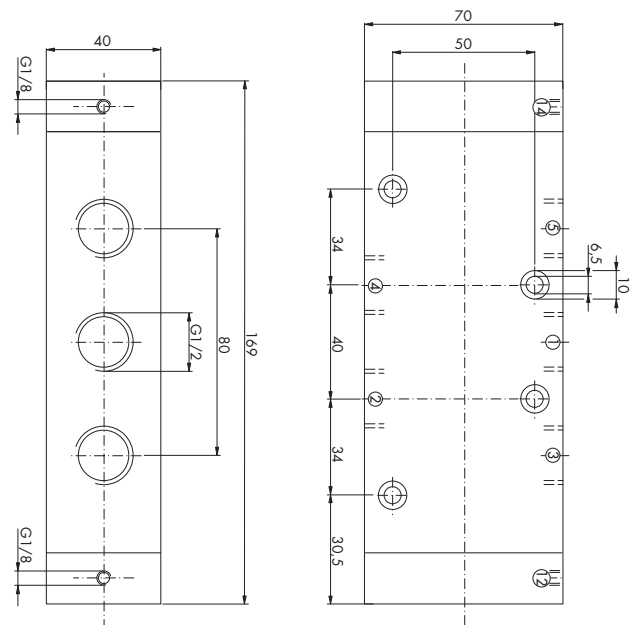
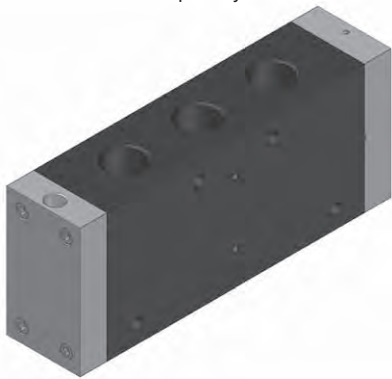
Code	Return	Symbol
76.047.81.42	Pressure at 12	
76.047.81.47	Pressure at 12 with 14 priority	

5/2-way Poppet Valves - G 1/2 (D_{nom} 15 mm)

SECTION C

Actuation: Pressure at 14

Return: Spring (pressure supported)
Pressure at 12
Pressure at 12 with 14 priority



Code	Return	Symbol
76.067.81.41*	Spring	
76.067.81.42	Pressure at 12	
76.067.81.47	Pressure at 12 with 14 priority	

*Note: Min. control pressure at 14 ≥ as pressure at 1.

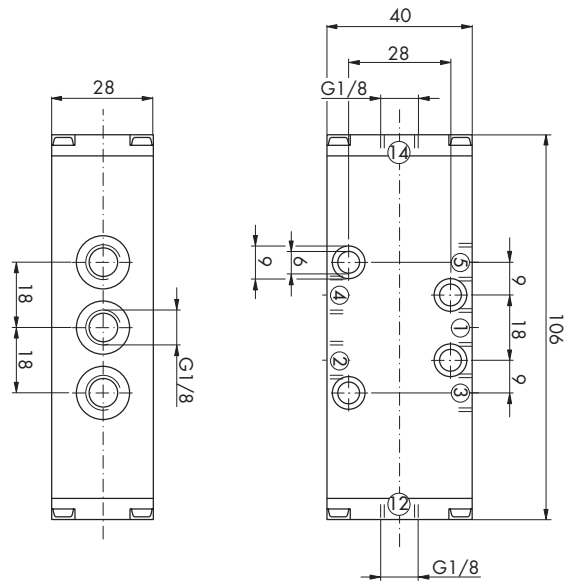
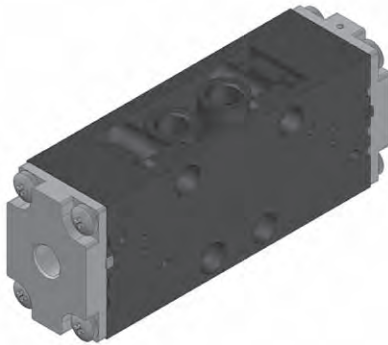
5/2-way & 5/3-way Spool Valves - G 1/8 (D_{nom} 6 mm)

SECTION D

Actuation: Pressure at 14

Return: spring (pressure supported)

SERIES 76
PNEUMATIC VALVES



Code	Symbol
76.023.71.41	

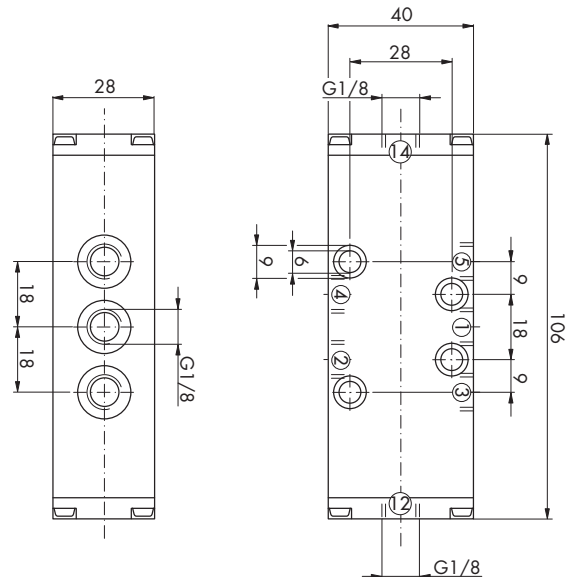
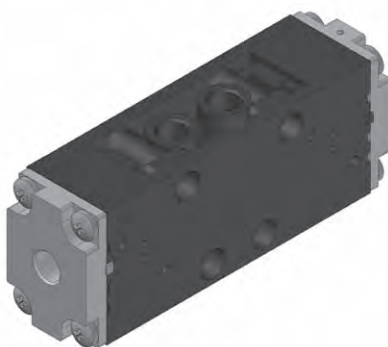
Note: Min. control pressure at 14 ≥ as pressure at 1.

5/2-way & 5/3-way Spool Valves - G 1/8 (D_{nom} 6 mm)

SECTION D

Actuation: Pressure at 14

Return: Spring
Pressure at 12
Pressure at 12 with 14 priority



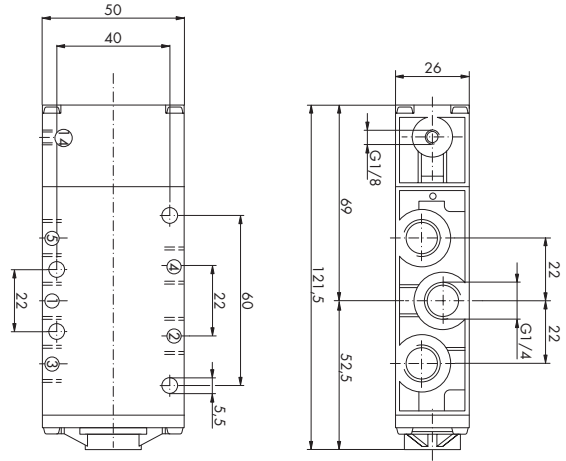
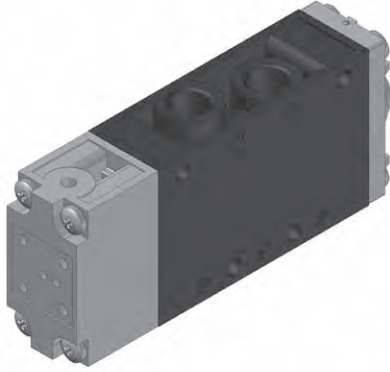
Code	Return	Symbol
76.023.71.42	Pressure at 12	
76.023.71.47	Pressure at 12 with 14 priority	
76.024.71.28	Spring (return to centre)	
76.024.71.38	Spring (return to centre)	

5/2-way & 5/3-way Spool Valves - G 1/4 (D_{nom} 8 mm)

SECTION D

Actuation: Pressure at 14

Return: Spring (pressure supported)



SERIES 76
PNEUMATIC VALVES

Code	Symbol
76.043.81.41	

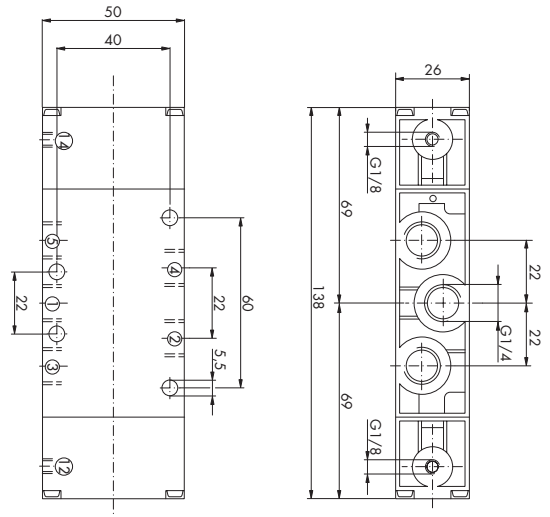
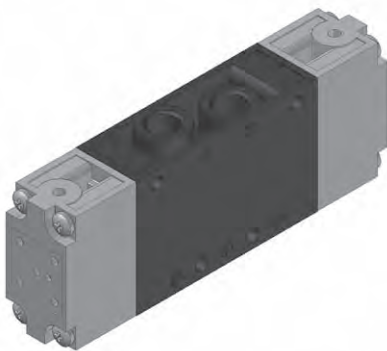
Note: Min. control pressure at 14 ≥ as pressure at 1.

5/2-way & 5/3-way Spool Valves - G 1/4 (D_{nom} 8 mm)

SECTION D

Actuation: Pressure at 14

Return: Spring
Pressure at 12
Pressure at 12 with 14 priority



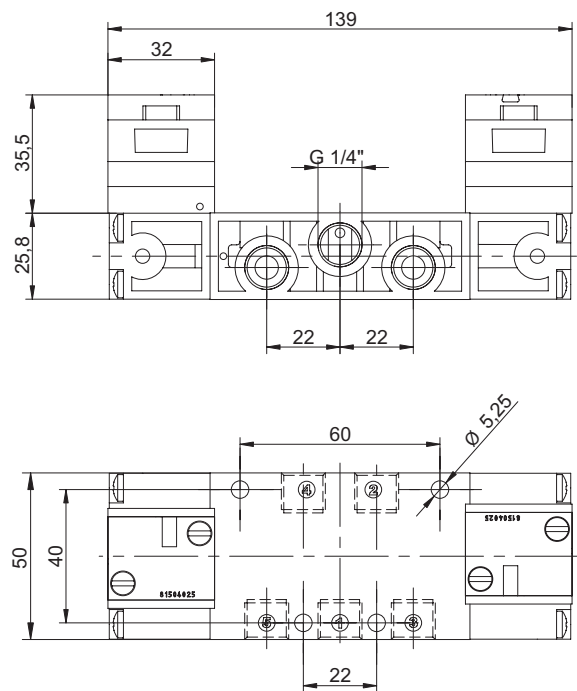
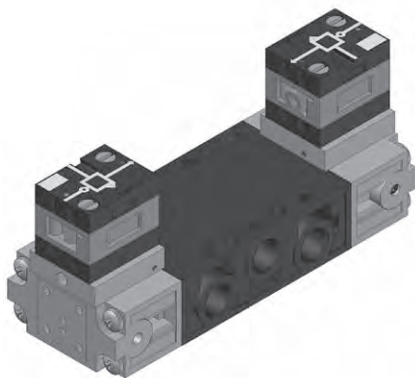
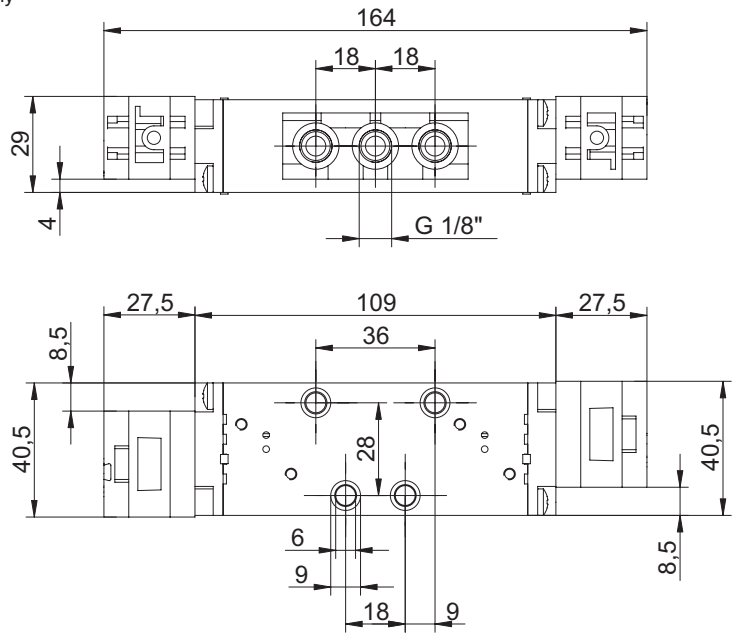
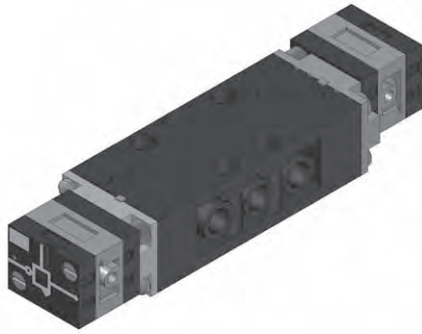
Code	Return	Symbol
76.043.81.42	Pressure at 12	
76.043.81.47	Pressure at 12 with 14 priority	
76.044.81.28	Spring (return to centre)	
76.044.81.38	Spring (return to centre)	

5/2-way - Valves for use with direct mounted logic modules

SECTION E

Valves are sold without logic devices which need to be ordered separately

SERIES 76
PNEUMATIC VALVES



Code	Function	Pressure Connection	Valve Type	Actuation	Return	Note
76.023.72.72	5/2	G1/8	Spool Valves	"Not" Logic Module (part no C815.04.025, order separately)	"Not" Logic Module (part no C815.04.025, order separately)	NOT: horizontal position
76.043.72.72	5/2	G1/4	Spool Valves	"Not" Logic Module (part no C815.04.025, order separately)	"Not" Logic Module (part no C815.04.025, order separately)	NOT: vertical position

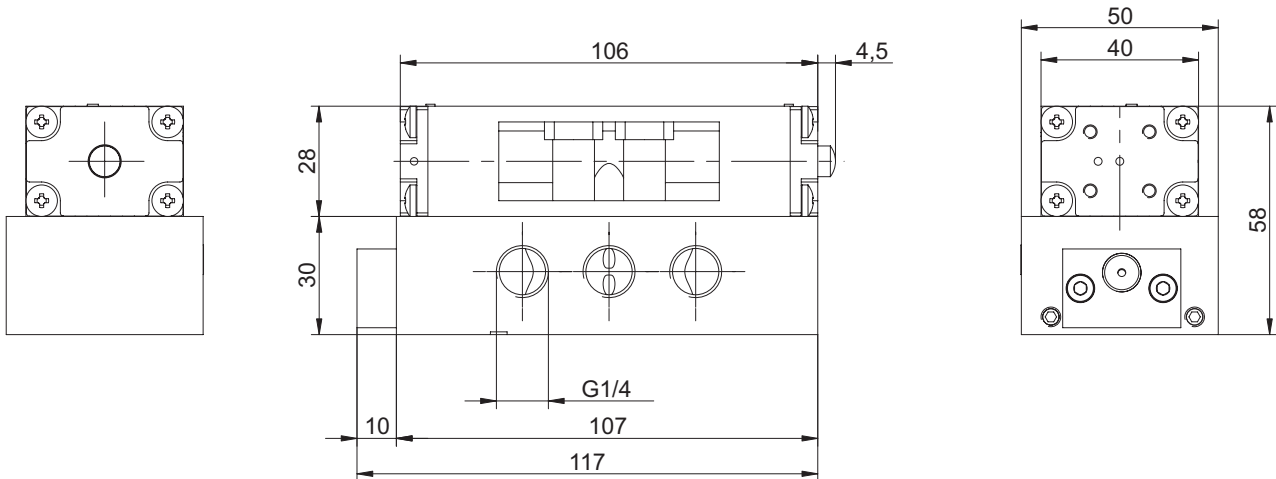
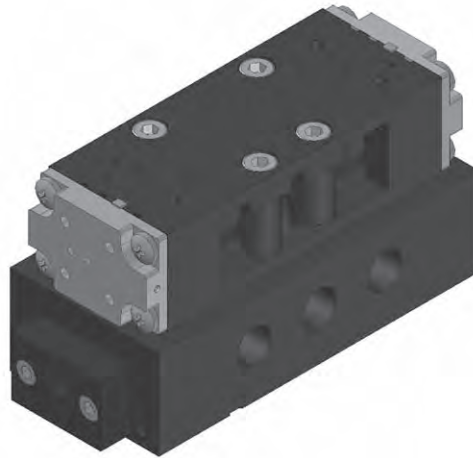
Note: Others logic element upon request.

5/2-way - Monostable Flip-Flop

SECTION E

Actuation: Pneumatic

Return: Pneumatic pulse



The valve provides a 5/2 way switched output from an air pilot pulse signal of at least 300 ms in length. When a pilot pressure is applied to the control port, the valve output position changes. The output valve maintains position until the next pilot pulse signal is applied.

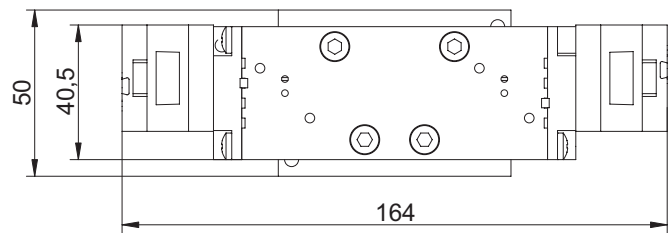
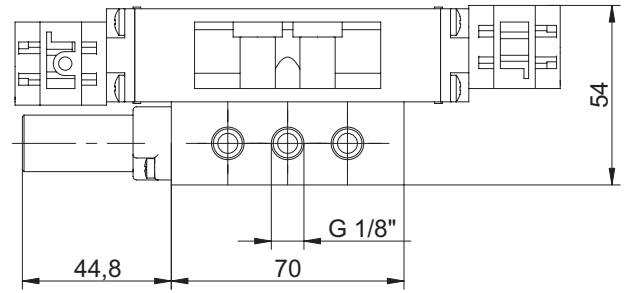
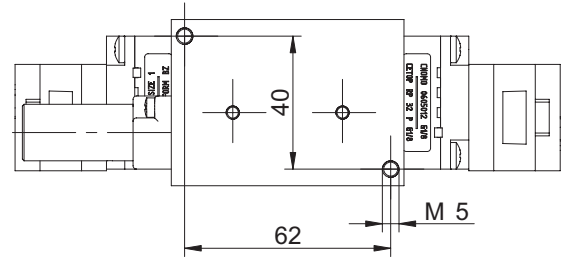
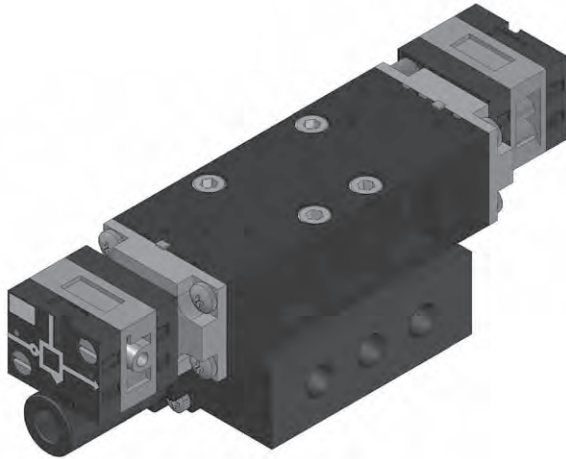
Example: with a double acting cylinder at start position of rod in, pulse the valve once and rod extends. Pulse the valve a second time and rod returns.

Code	Connections	Type	Symbol
76.083.89.42	G 1/4 (G 1/8 control pressure)	Flip-Flop	

5/2-way - Oscillator

SECTION E

Actuation: Pneumatic



SERIES 76
PNEUMATIC VALVES

This valve can be used to oscillate a double acting cylinder. When a pilot pressure is applied to the control port the valve will oscillate. Removal of pilot pressure will return the valve to its start position.

Speed is dependent upon the connected volume and line pressure which can be controlled by the addition of flow control valves on the cylinder input ports. The typical speed is 16 cycles per minute, the minimum operating pressure range is 2.5 bar.

Code	A	Type	Symbol
76.083.90.42	G 1/8 (G 1/8 control pressure)	Oscillator	

PLASTIC MATERIAL (IXEF) VALVES

General information

Plastic Solenoid Valves

Function	Section	Pressure range	Pressure connection (nominal orifice)	Earthing contact	Electrical connections
5/2-way Poppet Valves	A	2.5 - 10 bar	G 1/8 (6 mm)	Part of the standard device	Coil with 3 spade connectors (6.3 x 0.8 DIN 46247) + plug in socket (order separately)
5/2-way Spool Valves 5/3-way Spool Valves		2.5 - 10 bar	G 1/8 (6 mm)		

Plastic Pneumatic Valves

Function	Section	Pressure range	Pressure connection (nominal orifice)	Lubricant	Control pressure	Subplates
5/2-way Poppet Valves	B	2.5 - 10 bar	G 1/8 (6 mm)	Not required	2.5 - 10 bar	See accessories
5/2-way Spool Valves 5/3-way Spool Valves		2.5 - 10 bar	G 1/8 (6 mm)			

Solenoid & Pneumatic Plastic Valves

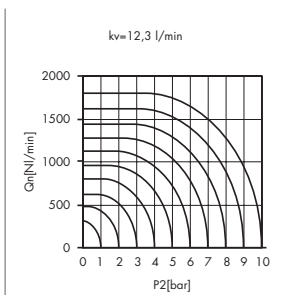
Ambient temperature range: From -15 °C to +50 °C

Housing: Plastic material (IXEF)

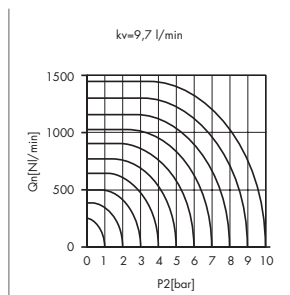
Seals: NBR

Mounting: Any position

Operating medium: 5 micron filtered, lubricated (or not) compressed air; also suitable for other media conforming to ISO-VG 10



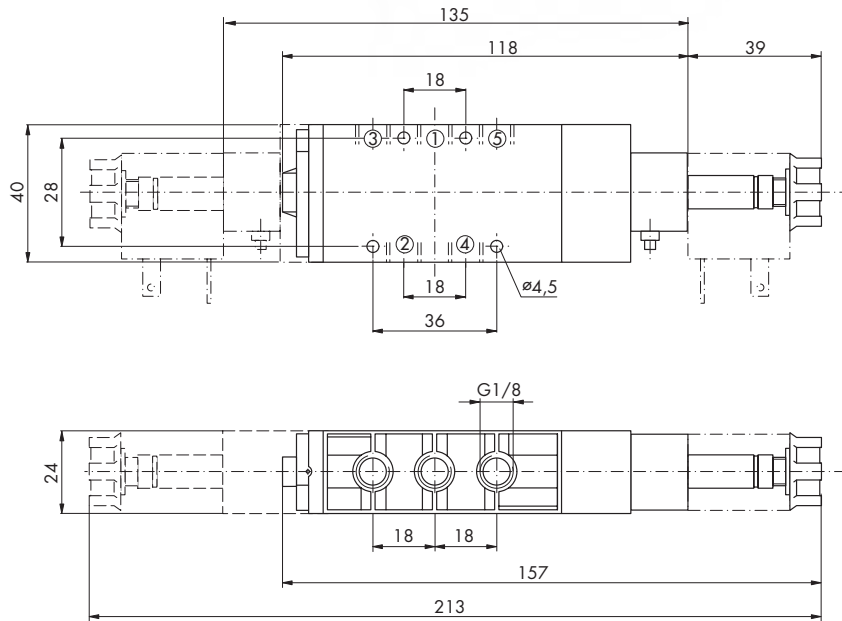
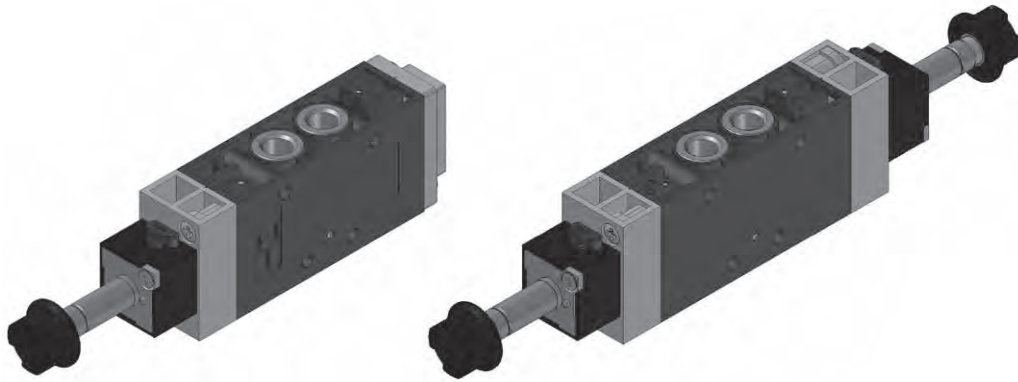
Poppet Valves
Orifice 6 mm



Spool Valves
Orifice 6 mm

5/2-way Poppet Valves & 5/2-way, 5/3-way Spool Valves - G 1/8 (D_{nom} 6 mm)

SECTION A



SERIES 76
PLASTIC MATERIAL (IXEF)
VALVES

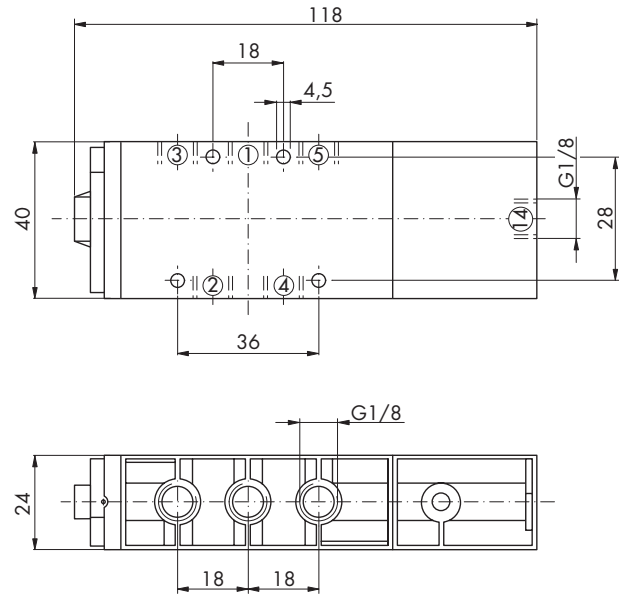
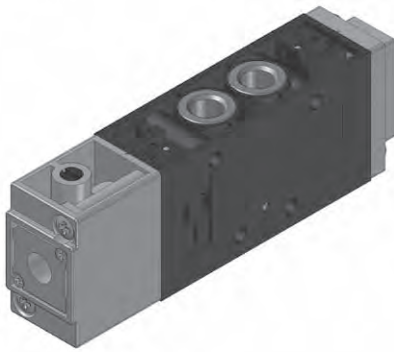
Code	A	Valves	Actuation	Return	Coil Type	Symbol
76.127.91.00	G 1/8	Poppet	Solenoid, manual override	Spring (pressure supported)	76.410.xx.xx	
76.127.92.00	G 1/8	Poppet	Solenoid, manual override	Solenoid	76.410.xx.xx	
76.127.93.00	G 1/8	Poppet	Solenoid, manual override	Solenoid with priority at 14	76.410.xx.xx	
76.123.91.00	G 1/8	Spool	Solenoid, manual override	Spring (pressure supported)	76.410.xx.xx	
76.123.92.00	G 1/8	Spool	Solenoid, manual override	Solenoid	76.410.xx.xx	
76.123.93.00	G 1/8	Spool	Solenoid, manual override	Solenoid with priority at 14	76.410.xx.xx	
76.124.02.00	G 1/8	Spool	Solenoid, manual override	Spring (return to centre)	76.410.xx.xx	
76.124.12.00	G 1/8	Spool	Solenoid, manual override	Spring (return to centre)	76.410.xx.xx	

5/2-way Poppet Valves & 5/2-way Spool Valves - G 1/8 (D_{nom} 6 mm)

SECTION B

Actuation: Pressure at 14

Return: Spring (pressure supported)



SERIES 76
PLASTIC MATERIAL (IXEF)
VALVES

Code	Valves	Symbol
76.127.71.41	Poppet	
76.123.71.41	Spool	

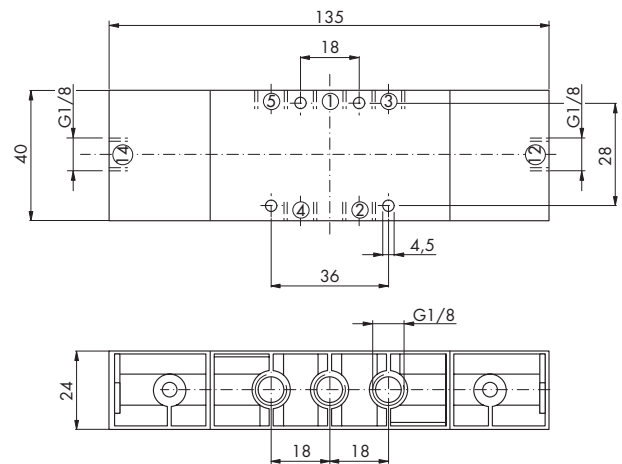
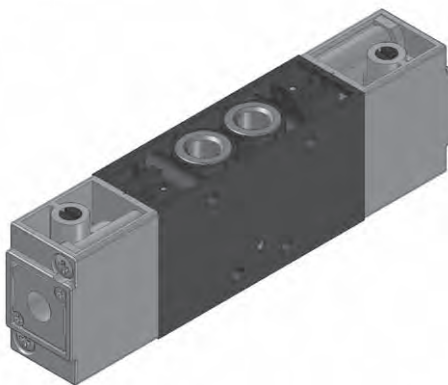
Note: Min. control pressure at 14 ≥ as pressure at 1.

5/2-way Poppet Valves & 5/2-way, 5/3-way Spool Valves - G 1/8 (D_{nom} 6 mm)

SECTION B

Actuation: Pressure at 14

Return: Spring
Pressure at 12
Pressure at 12 with priority at 14



Code	Valves	Return	Symbol
76.127.71.42	Poppet	Pressure at 12	
76.127.71.47	Poppet	Pressure at 12 with priority at 14	
76.123.71.42	Spool	Pressure at 12	

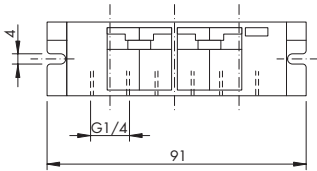
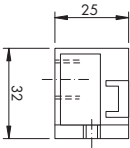
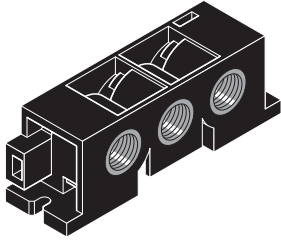
Code	Valves	Return	Symbol
76.123.71.47	Spool	Pressure at 12 with priority at 14	
76.124.71.38	Spool	Spring (return to centre)	
76.124.71.28	Spool	Spring (return to centre)	

Subplates for Solenoid & Pneumatic Plastic Housing Valves 76.123.xx.xx / 76.124.xx.xx / 76.127.xx.xx

Left End Plate

Left end plate with threaded connection (linking set is part of the subplate shipment).

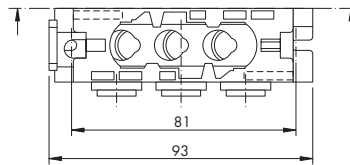
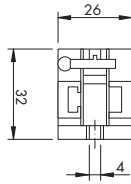
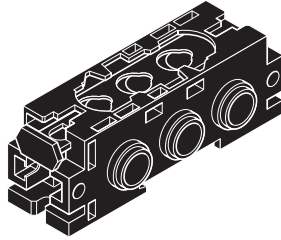
Code	76.420.00.99
------	--------------



Central Plate

This is the standard valve mounting plate. Single valves are mounted to the top.

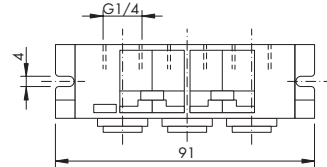
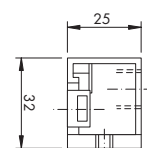
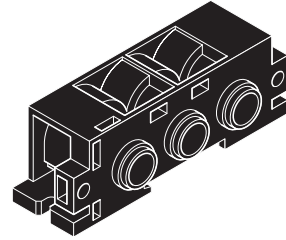
Code	76.420.00.01
------	--------------



Right End Plate

Right endplate (linking set is part of the subplate shipment).

Code	76.420.00.98
------	--------------

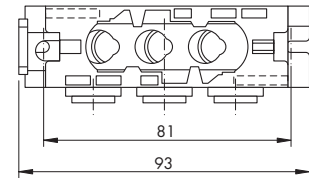
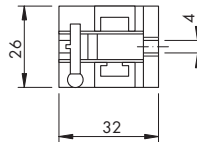


SERIES 76
PLASTIC MATERIAL (IXEF)
VALVES

Blocking Plate for twin pressure

Accepts one valve. Used in an assembly that has left hand and right hand air supplies at different pressures.

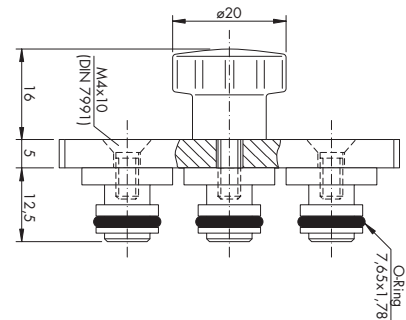
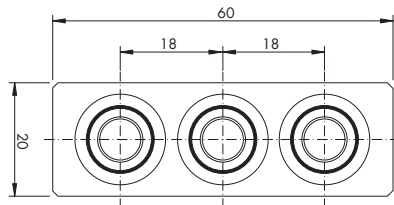
Code	76.420.00.05
------	--------------



Dummy Module

To block the ports of an unused valve subplate.

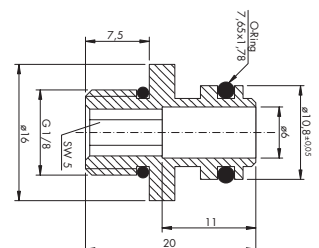
Code	76.420.00.06
------	--------------



Linking element

Linking element to seal individual subplate sections operating at different pressures or for open connecting ports.

Code	Note
76.420.00.36	Linking element with borehole diam. 6 mm
76.420.00.37	Linking element without borehole diam. 6 mm



Note: The shipment includes 1 linking element complete with O-rings.

Subplates Mounting Instructions

The plastic bodied 5/2 and 5/3 valves can be sub plate assembled into valve islands.

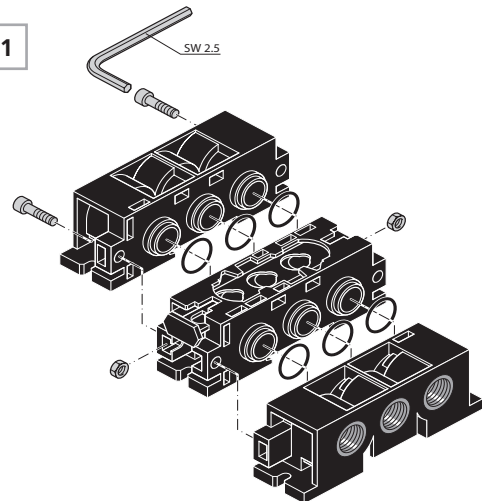
The smallest unit comprises one basic sub plate for one valve, plus one input plate and one end plate.

Plates are assembled using two hex cap screws through lateral flanges. Ports are sealed by integral O-rings.

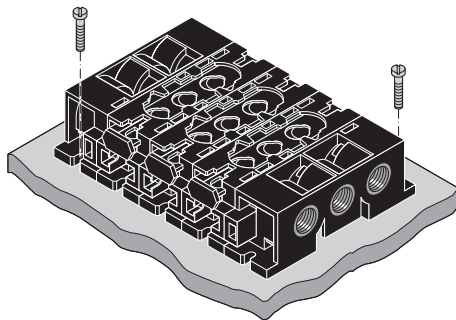
Additional valves each with a standard sub plate can be added or retrofitted to an assembly.

Use a blocking module/subplate (76.420.0005) to enable two different air feeds.

STEP 1

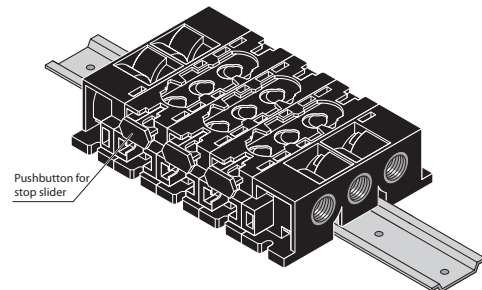


Mounting of the subplate on a flat, even surface



Mounting on a DIN rail (35 mm wide H type rail)

STEP 2



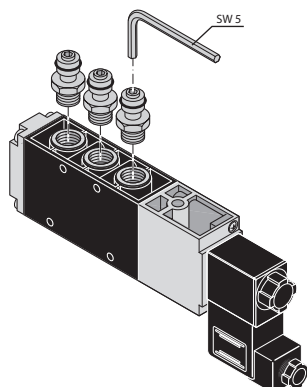
When the subplates are mounted vertically on the DIN rail please make sure that the pushbutton for the stop slider is on top of the unit.

Hang the fully mounted subplate on the upper extension of the rail and then engage its claws in the lower extension by applying a slight pressure. To remove the subplate from the rail, withdraw the claws one after the other against the spring by means of a screw driver and slightly tilt the whole block on the rail at the same time.

Insert the connectors to the valve

Start by screwing the connectors (linking elements) into the the 3 ports of the valve. Then use a 5mm Hex wrench (Allen Key) to tighten and seal.

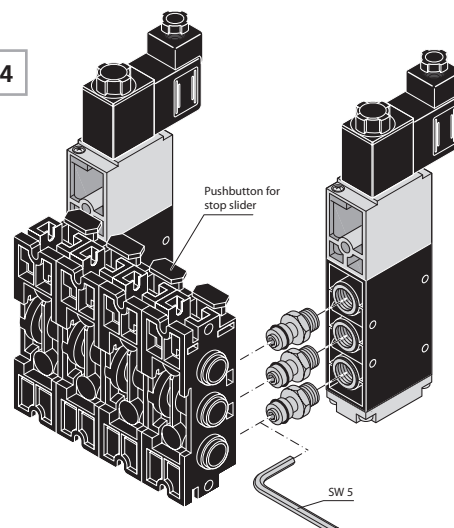
STEP 3



Mount the valve on the subplate

Once the connectors have been inserted and secured as in step 3, a valve can be mounted on it's subplate. Simply depress the valve locking button on the subplate and press the valve into position. Release the locking button.

STEP 4

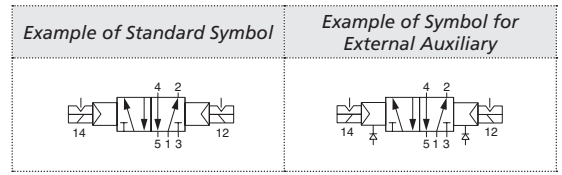


External Auxiliary Valves SECTION D

The 76 series range of valves is also available with additional external pneumatic auxiliary ports for switching. Other versions are available, please contact our sales department for further information.

Actuation: Solenoid (external pneumatic auxiliary port)

Coil Type: 76.410.xx.xx (order separately)



SERIES 76
PLASTIC MATERIAL (IXEF)
VALVES

Code	Function	Pressure connection	Pilot Pressure Connection	Valve Type	Housing	Return
76.527.91.00	5/2	G1/8	M5	Poppet valves	Plastic material (IXEF)	Spring
76.527.92.00				Solenoid		
76.523.91.00				Spool valves		Spring
76.524.02.00	5/3 all ports exhaust	G1/8	M5	Spool valves	Plastic material (IXEF)	Solenoid

NAMUR VALVES

General information

Function	Section	Pressure range	Pressure connection (nominal orifice)	Earthing contact	Electrical connections
5/2-way Poppet Valves	A	2.5 - 10 bar	G 1/4 (8 mm)	Part of the standard device	2.5 - 10 bar
5/2-way Spool Valves 5/3-way Spool Valves		2.5 - 10 bar	G 1/4 (8 mm)		2.5 - 10 bar

Ambient temperature range: From -15 °C to +50 °C

Housing: Die-cast and varnished aluminium alloy

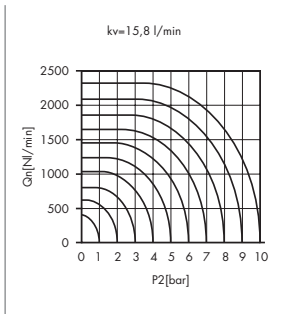
Seals: NBR

Electrical connections: Coil with 3 spade connectors (6.3 x 0.8 DIN 46247) + plug in sockets (order each separately)

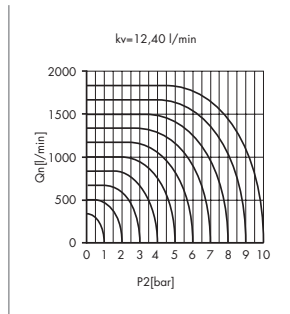
Mounting: Any position

Operating medium: 5 micron filtered, lubricated (or not) compressed air; also suitable for other media conforming to ISO-VG 10

SERIES 76
NAMUR VALVES



Poppet Valves
Orifice 8 mm

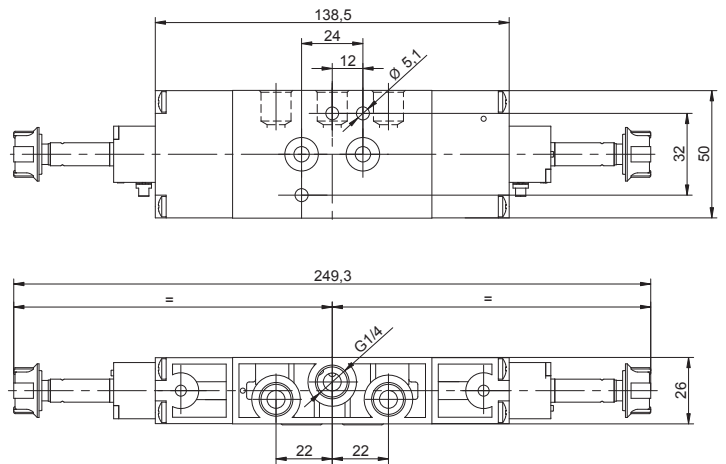
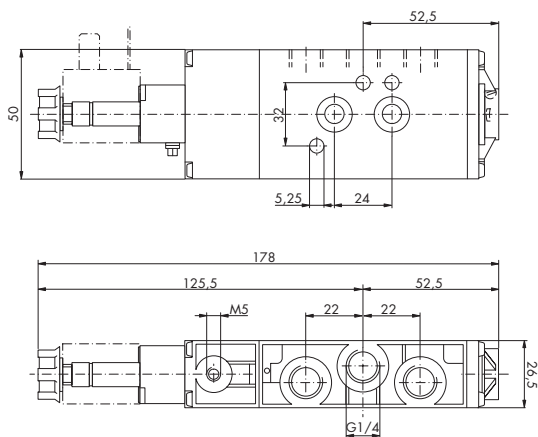
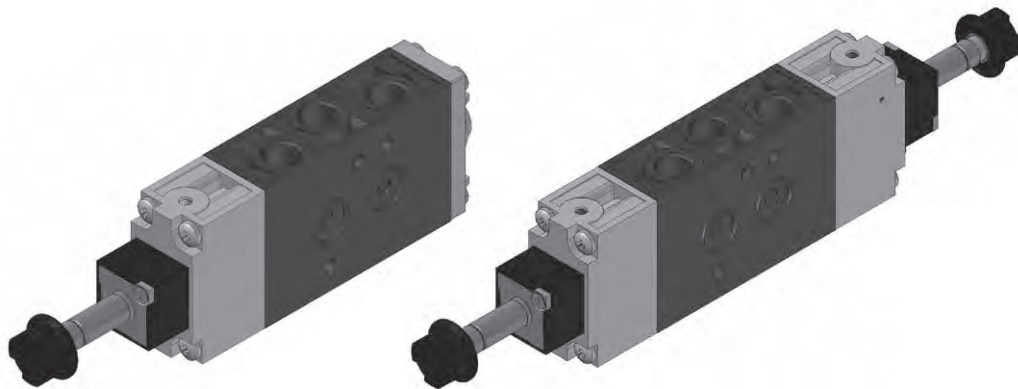


Spool Valves
Orifice 8 mm

5/2-way Poppet Valves & 5/2-way, 5/3-way Spool Valves - G 1/4 (D_{nom} 8 mm)

SECTION A

NAMUR ¼ ported valves are designed to a European specification that standardises the mounting holes amongst manufacturers.



SERIES 76
NAMUR VALVES

Code	A	Valves	Actuation	Return	Coil Type	Symbol
76.077.91.00	G 1/4	Poppet	Solenoid	Spring (pressure supported)	76.410.xx.xx (order separately)	
76.077.92.00	G 1/4	Poppet	Solenoid	Solenoid	76.410.xx.xx (order separately)	
76.073.91.00	G 1/4	Spool	Solenoid	Spring (pressure supported)	76.410.xx.xx (order separately)	
76.073.92.00	G 1/4	Spool	Solenoid	Solenoid	76.410.xx.xx (order separately)	
76.074.02.00	G 1/4	Spool	Solenoid	Spring (return to centre)	76.410.xx.xx (order separately)	
76.074.12.00	G 1/4	Spool	Solenoid	Spring (return to centre)	76.410.xx.xx (order separately)	

ISO 1 & ISO 2 VALVES

General information

ISO Solenoid Valves

ISO	Function	Section	Pressure range	Nominal orifice	Earthing contact	Electrical connections
ISO 1	5/2-way Poppet Valves 5/2-way Spool Valves 5/3-way Spool Valves	A	2.5 - 10 bar	6 mm	Part of the standard device	Coil with 3 spade connectors (6.3 x 0.8 DIN 46247) + plug in socket (order each separately)
ISO 2	5/2-way Poppet Valves 5/2-way Spool Valves 5/3-way Spool Valves		2.5 - 10 bar	8 mm		

ISO Pneumatic Valves

ISO	Function	Section	Pressure range	Nominal orifice	Lubricant	Control pressure
ISO 1	5/2-way Poppet Valves 5/2-way Spool Valves 5/3-way Spool Valves	B	2.5 - 10 bar	6 mm	Not required	2.5 - 10 bar
ISO 2	5/2-way Poppet Valves 5/2-way Spool Valves 5/3-way Spool Valves		2.5 - 10 bar	8 mm		

ISO Solenoid & Pneumatic Valves

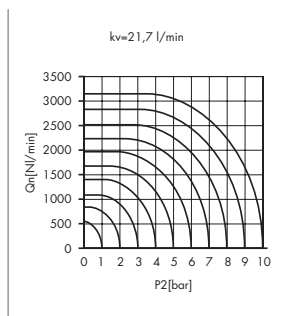
Ambient temperature range: From -15 °C to +50 °C

Housing: Die-cast and varnished aluminium alloy

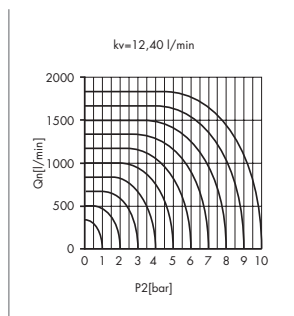
Seals: NBR

Pressure connection: On subplates

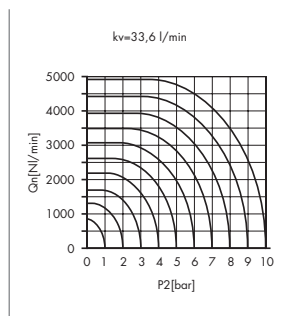
Operating medium: 5 micron filtered, lubricated (or not) compressed air; also suitable for other media conforming to ISO-VG 10



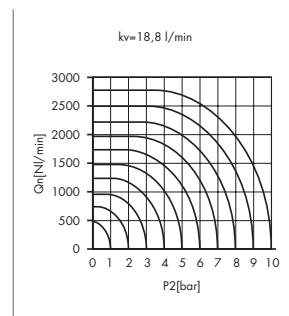
ISO 1
Poppet Valves



ISO 1
Spool Valves



ISO 2
Poppet Valves

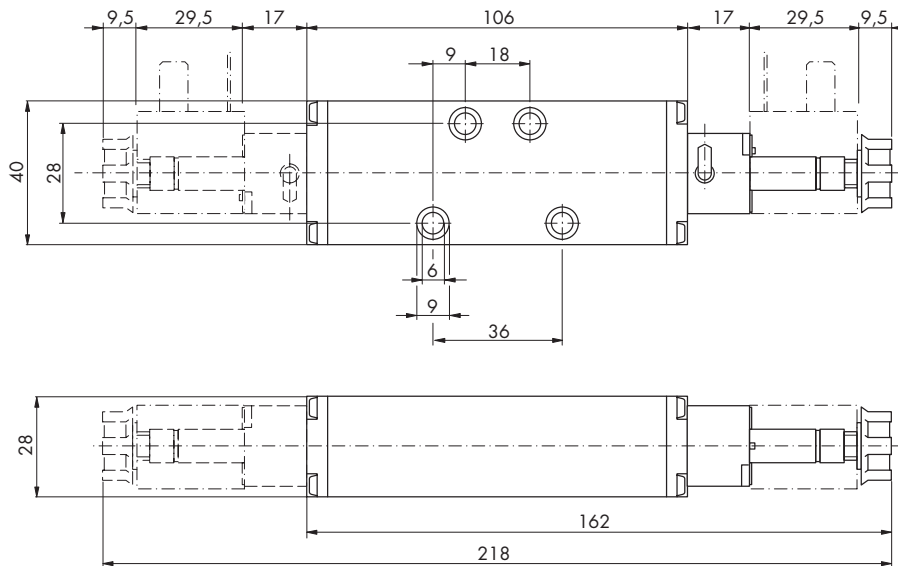
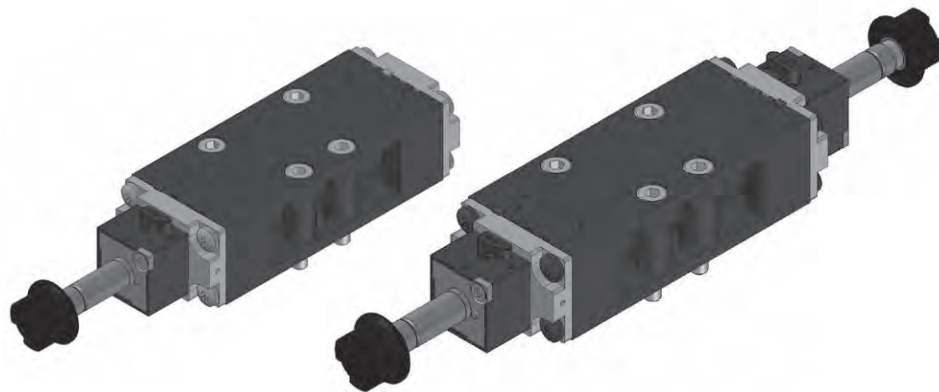


ISO 2
Spool Valves

5/2-way Poppet Valves & 5/2-way, 5/3-way Spool Valves

SECTION A

ISO 1 Valves - Horizontal coil



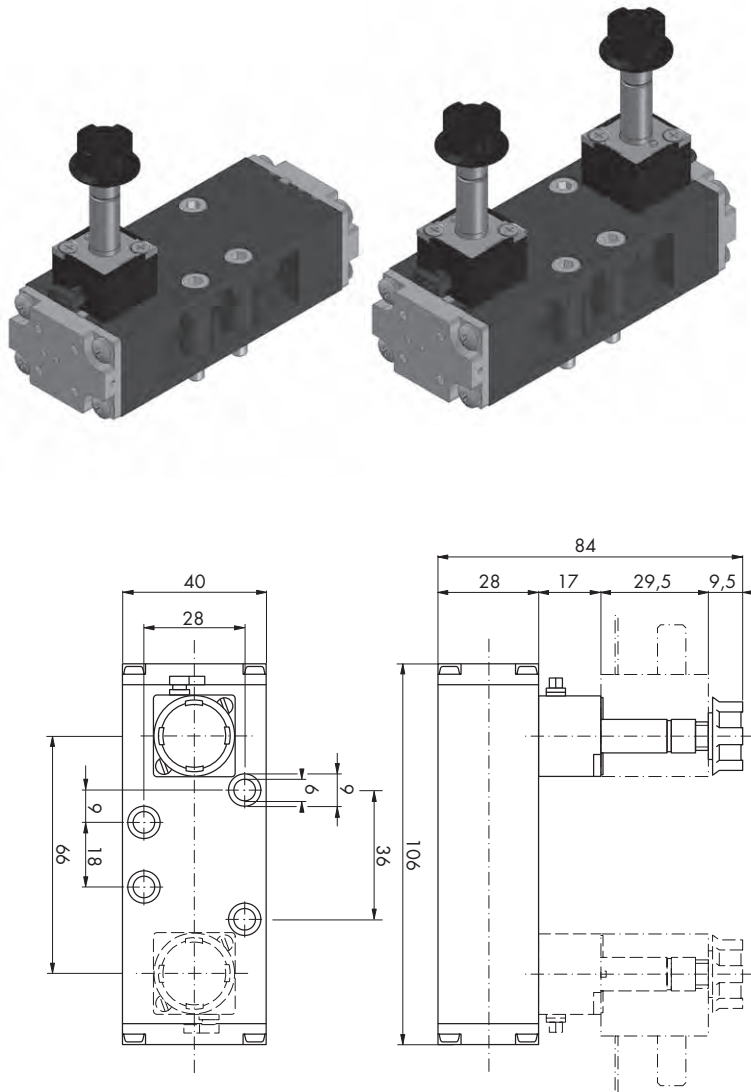
SERIES 76
ISO 1 & ISO 2 VALVES

Code	Connection	Valves	Actuation	Return	Coil Type	Symbol
76.087.91.00	Subplates	Poppet	Solenoid, manual override	Spring (pressure supported)	76.410.xx.xx (order separately)	
76.087.92.00	Subplates	Poppet	Solenoid, manual override	Solenoid	76.410.xx.xx (order separately)	
76.083.91.00	Subplates	Spool	Solenoid, manual override	Spring (pressure supported)	76.410.xx.xx (order separately)	
76.083.92.00	Subplates	Spool	Solenoid, manual override	Solenoid	76.410.xx.xx (order separately)	
76.084.02.00	Subplates	Spool	Solenoid, manual override	Spring (return to centre)	76.410.xx.xx (order separately)	
76.004.12.00	Subplates	Spool	Solenoid, manual override	Spring (return to centre)	76.410.xx.xx (order separately)	

5/2-way Poppet Valves & 5/2-way, 5/3-way Spool Valves

SECTION A

ISO 1 Valves - Vertical coil



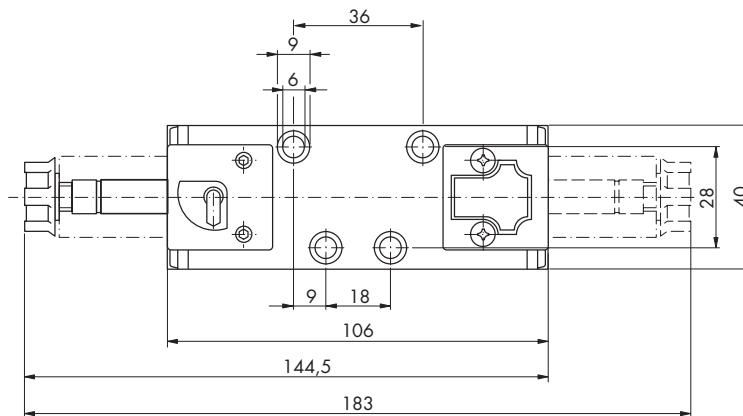
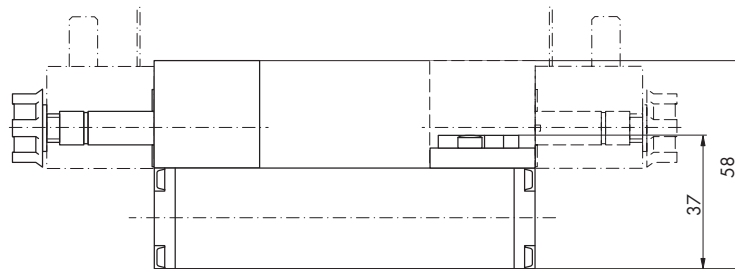
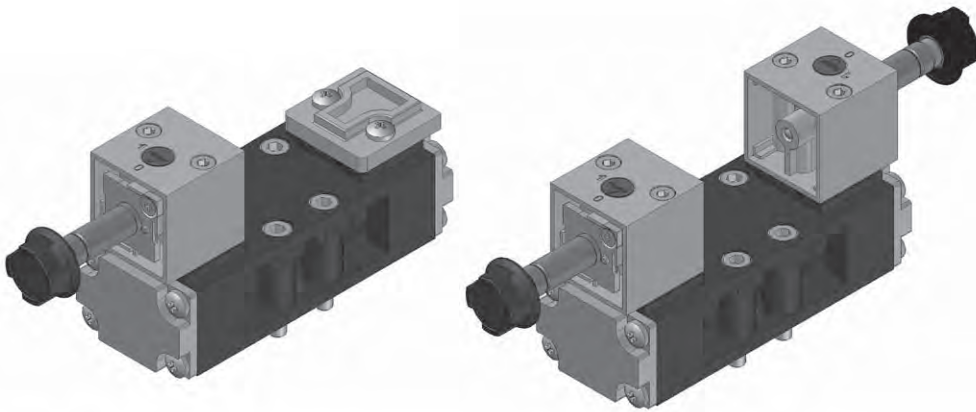
Code	Connection	Valves	Actuation	Return	Coil Type	Symbol
76.087.94.00	Subplates	Poppet	Solenoid, manual override	Spring (pressure supported)	76.410.xx.xx (order separately)	
76.087.95.00	Subplates	Poppet	Solenoid, manual override	Solenoid	76.410.xx.xx (order separately)	
76.083.94.00	Subplates	Spool	Solenoid, manual override	Spring (pressure supported)	76.410.xx.xx (order separately)	
76.083.95.00	Subplates	Spool	Solenoid, manual override	Solenoid	76.410.xx.xx (order separately)	
76.084.05.00	Subplates	Spool	Solenoid, manual override	Spring (return to centre)	76.410.xx.xx (order separately)	
76.084.15.00	Subplates	Spool	Solenoid, manual override	Spring (return to centre)	76.410.xx.xx (order separately)	

SERIES 76
ISO 1 & ISO 2 VALVES

5/2-way Poppet Valves & 5/3-way, 5/3-way Spool Valves

SECTION A

ISO 1 Valves - Cnomo coil



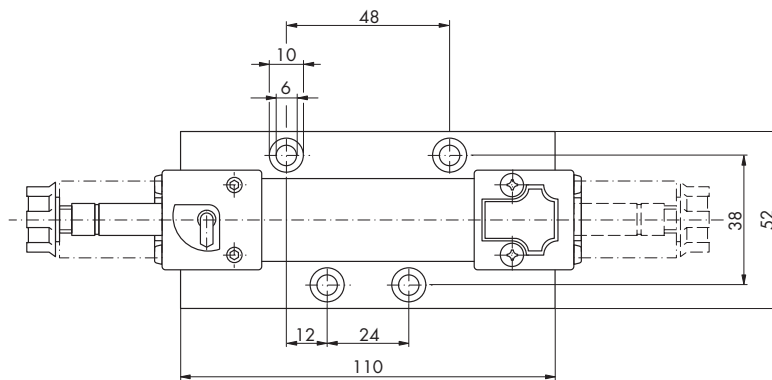
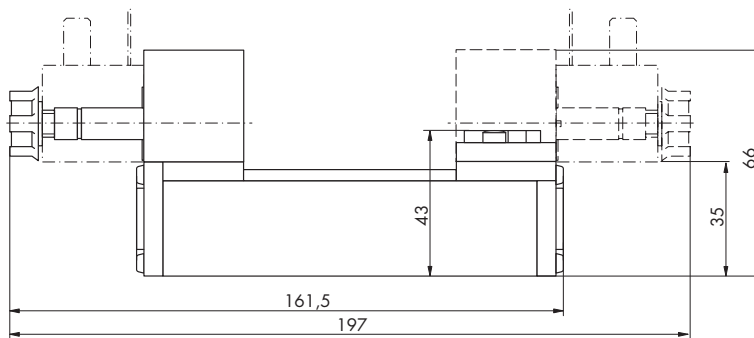
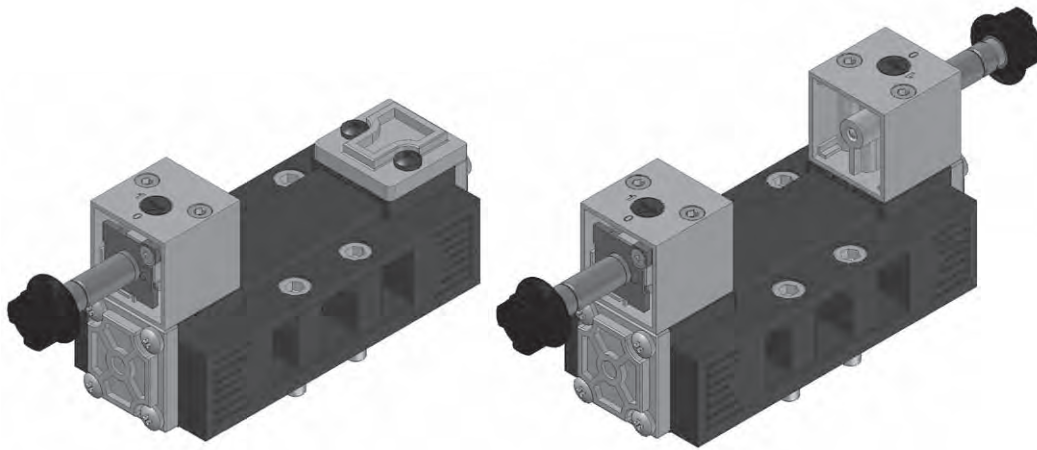
SERIES 76
ISO 1 & ISO 2 VALVES

Code	Connection	Valves	Actuation	Return	Coil Type	Symbol
76.087.97.00	Subplates	Poppet	Solenoid, manual override	Spring (pressure supported)	76.411.xx.xx (order separately)	
76.087.98.00	Subplates	Poppet	Solenoid, manual override	Solenoid	76.411.xx.xx (order separately)	
76.083.97.00	Subplates	Spool	Solenoid, manual override	Spring (pressure supported)	76.411.xx.xx (order separately)	
76.083.98.00	Subplates	Spool	Solenoid, manual override	Solenoid	76.411.xx.xx (order separately)	
76.084.08.00	Subplates	Spool	Solenoid, manual override	Spring (return to centre)	76.411.xx.xx (order separately)	
76.084.18.00	Subplates	Spool	Solenoid, manual override	Spring (return to centre)	76.411.xx.xx (order separately)	

5/2-way Poppet Valves & 5/2-way, 5/3-way Spool Valves

SECTION A

ISO 2 Valves - Cnomo coil



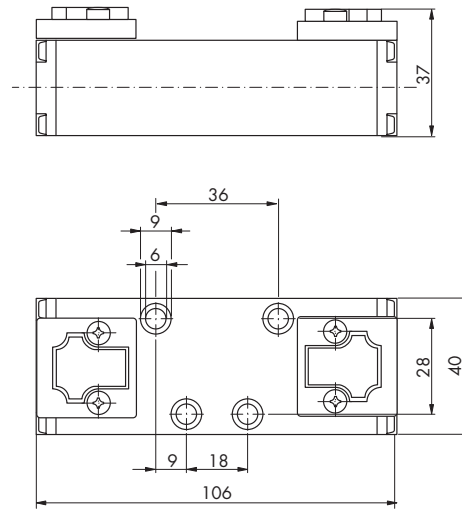
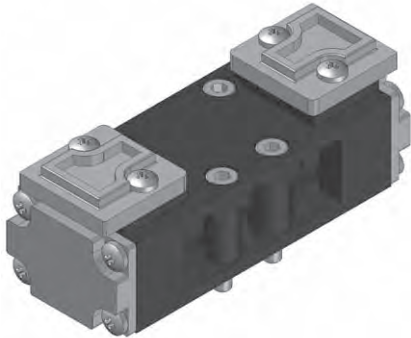
Code	Connection	Valves	Actuation	Return	Coil Type	Symbol
76.097.97.00	Subplates	Poppet	Solenoid, manual override	Spring (pressure supported)	76.411.xx.xx (order separately)	
76.097.98.00	Subplates	Poppet	Solenoid, manual override	Solenoid	76.411.xx.xx (order separately)	
76.093.97.00	Subplates	Spool	Solenoid, manual override	Spring (pressure supported)	76.411.xx.xx (order separately)	
76.093.98.00	Subplates	Spool	Solenoid, manual override	Solenoid	76.411.xx.xx (order separately)	
76.094.08.00	Subplates	Spool	Solenoid, manual override	Spring (return to centre)	76.411.xx.xx (order separately)	
76.094.18.00	Subplates	Spool	Solenoid, manual override	Spring (return to centre)	76.411.xx.xx (order separately)	

SERIES 76
ISO 1 & ISO 2 VALVES

5/2-way Poppet Valves & 5/2-way, 5/3-way Spool Valves

SECTION B

ISO 1 Valves



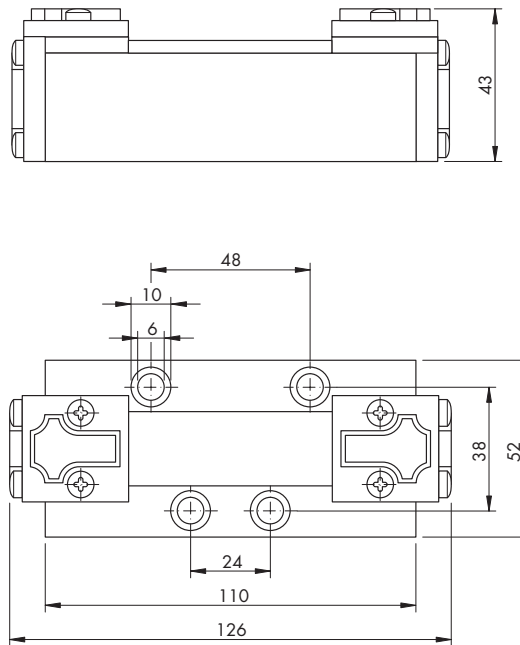
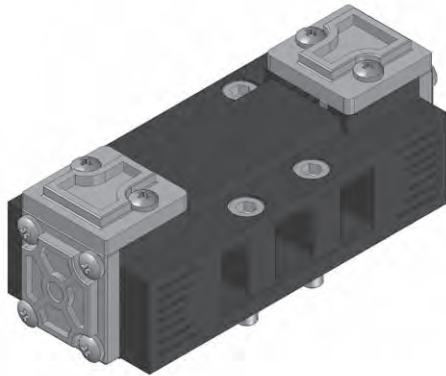
SERIES 76
ISO 1 & ISO 2 VALVES

Code	Connection	Valves	Actuation	Return	Note	Symbol
76.087.71.41	Subplates	Poppet	pressure at 14	Spring	Min. control pressure at 14 \geq as pressure at 1	
76.087.71.42	Subplates	Poppet	pressure at 14	pressure at 12		
76.087.71.47	Subplates	Poppet	pressure at 14	pressure at 12 with priority at 14		
76.083.71.41	Subplates	Spool	pressure at 14	Spring	Min. control pressure at 14 \geq as pressure at 1	
76.083.71.42	Subplates	Spool	pressure at 14	pressure at 12		
76.083.71.47	Subplates	Spool	pressure at 14	pressure at 12 with priority at 14		
76.084.71.28	Subplates	Spool	pressure at 14	Spring (return to centre)		
76.084.71.38	Subplates	Spool	pressure at 14	Spring (return to centre)		

5/2-way Poppet Valves & 5/2-way, 5/3-way Spool Valves

SECTION B

ISO 2 Valves

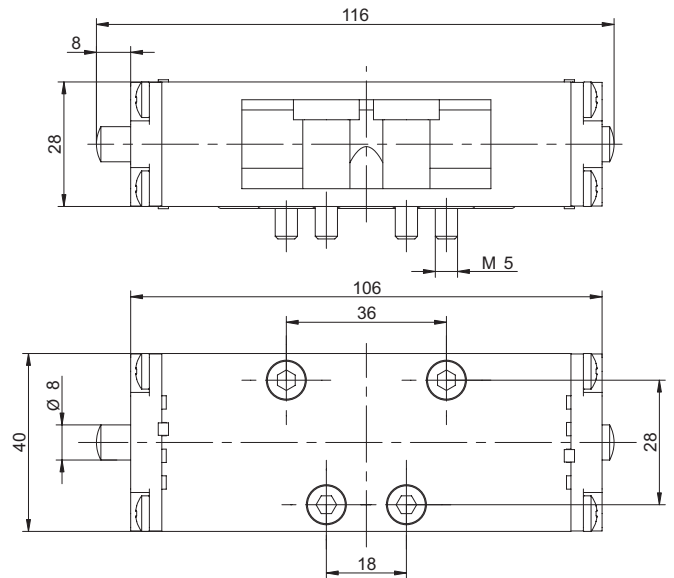
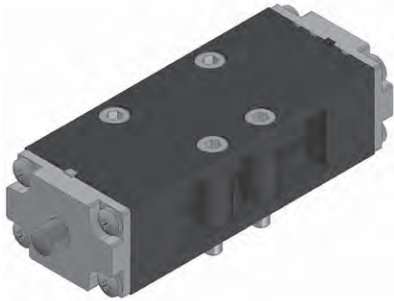


Code	Connection	Valves	Actuation	Return	Note	Symbol
76.097.71.41	Subplates	Poppet	pressure at 14	Spring	Min. control pressure at 14 \geq as pressure at 1	
76.097.71.42	Subplates	Poppet	pressure at 14	pressure at 12		
76.097.71.47	Subplates	Poppet	pressure at 14	pressure at 12 with priority at 14		
76.093.71.41	Subplates	Spool	pressure at 14	Spring	Min. control pressure at 14 \geq as pressure at 1	
76.093.71.42	Subplates	Spool	pressure at 14	pressure at 12		
76.093.71.47	Subplates	Spool	pressure at 14	pressure at 12 with priority at 14		
76.094.71.28	Subplates	Spool	pressure at 14	Spring (return to centre)		
76.094.71.38	Subplates	Spool	pressure at 14	Spring (return to centre)		

5/2-way Poppet Valves & 5/2-way Spool Valves for Pumps

SECTION B

ISO 1 Valves for Pumps

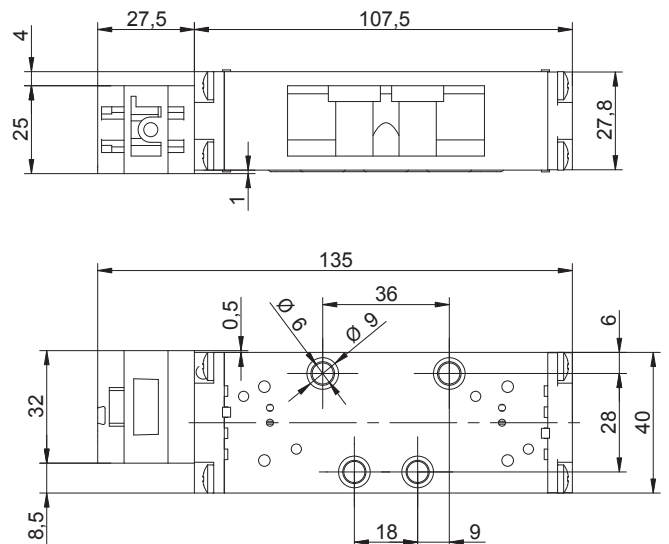
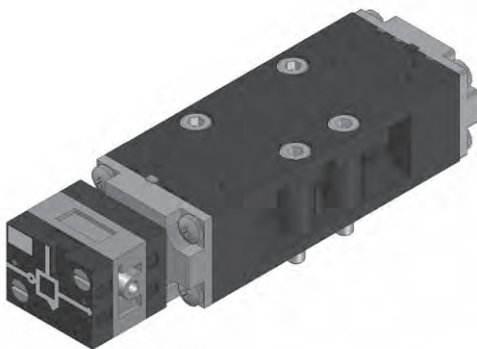


Code	Connection	Valves	Actuation	Return	Symbol
76.083.71.52	Subplates	Poppet	pressure at 14	pressure at 12 pushbutton	
76.087.71.52	Subplates	Spool	pressure at 14	pressure at 12 pushbutton	

5/2-way Valves for Direct Mounted Logic Modules

SECTION B

ISO 1 Valve for Direct Mounted Logic Module (Spring Return)



Code	Connection	Valves	Actuation	Return
76.087.72.41	Subplates	Poppet	"Not" Logic Module (order separately, part no C815.04.025)	Spring

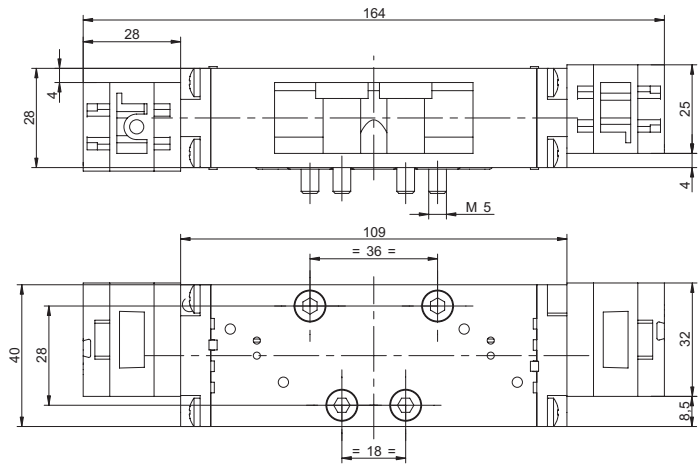
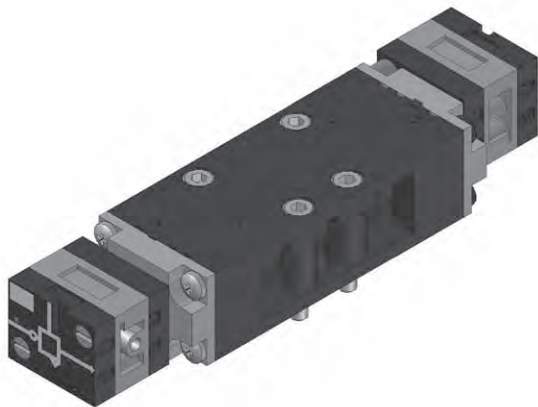
Note: Order logic module separately.

SERIES 76
ISO 1 & ISO 2 VALVES

5/2-way Valves for Direct Mounted Logic Modules

SECTION B

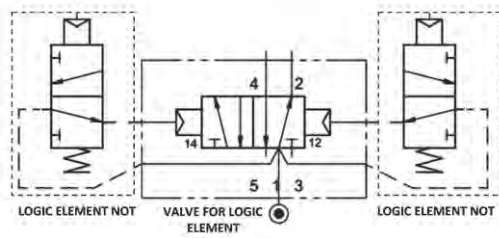
ISO 1 Valve for Direct Mounted Logic Modules (Logic Return)



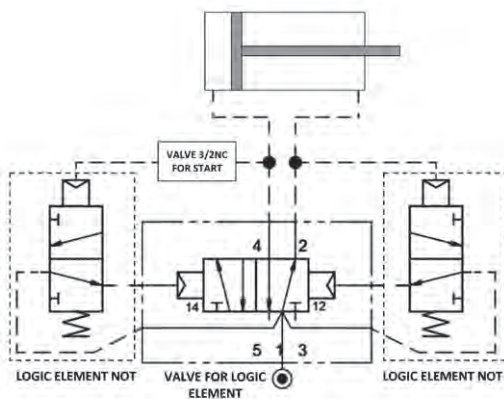
Code	Connection	Valves	Actuation	Return
76.083.72.72	Subplates	Spool	"Not" Logic Module (order separately, part no C815.04.025)	"Not" Logic Module (order separately, part no C815.04.025)

Note: Order logic module separately.

Valve function

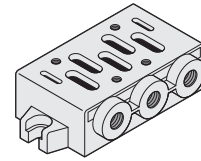


Example of a system



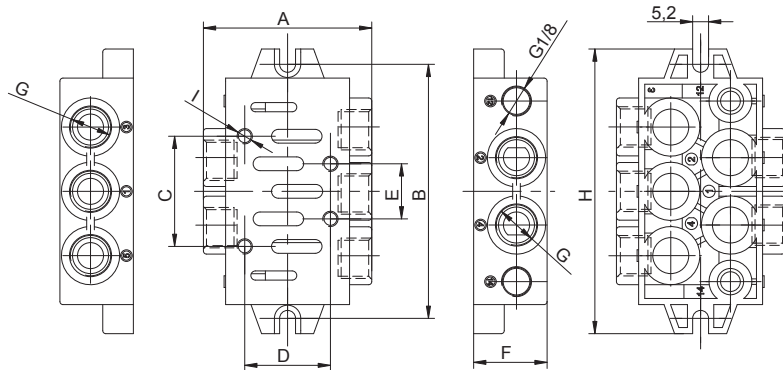
Subplates for ISO 1 and ISO 2 Valves - Single Subplate

Whoever has decided for a machine control with ISO valves most probably uses the variable connection plate system with subplates for valve mounting and the corresponding end plates. For expansion of individual valves or when an ISO valve is to be removed from a control block when in mounted condition, the use of an individual subplate presents itself.



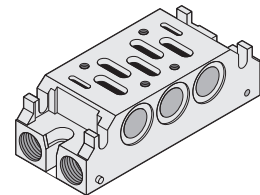
Single subplates for use with ISO valves. Not for modular use.

ISO	Code	A	B	C	D	E	F	G	H
ISO 1	76.420.00.11	56	82.5	36	28	18	24	G 1/4	92.5
ISO 2	76.420.00.12	65	100.5	48	38	24	30	G 3/8	112.5



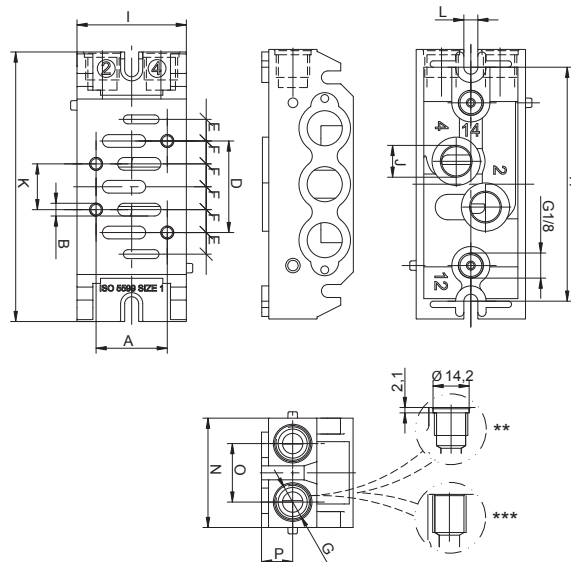
Subplates for ISO 1 and ISO 2 Valves - Single Subplates for Assemblies

Single subplates for use with ISO valves when building assemblies (valve islands). Add end plates, separation modules, intermediate exhaust modules, central supply modules and dummy plates as required.



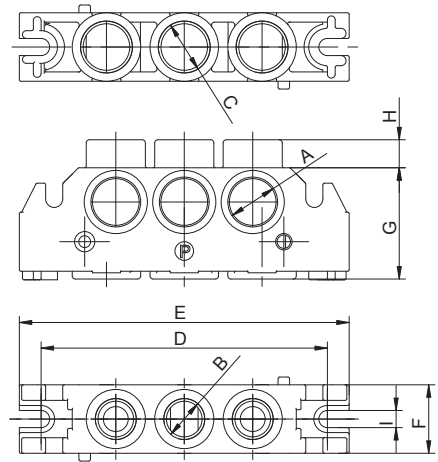
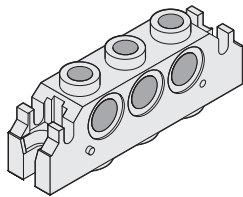
ISO	Code	A	B	C	D	E	F	G	H	I	J	K
ISO 1 *	76.420.00.13	28	M5	4.5	36	8.5	9	G 1/4	92	43	G 1/4	106
ISO 1 **	76.420.00.93	28	M5	4.5	36	8.5	9	G 1/4	92	43	G 1/4	106
ISO 2 **	76.420.00.14	38	M6	7	48	10	12	G 3/8	102	56	G 3/8	120

Note: Each subplate is supplied complete with valve seal, 2 dummy plugs, O-rings and connecting screws (M5 DIN 912).



Subplates for ISO 1 and ISO 2 Valves - Universal End Plates

Each sub plate assembly will need 2 end plates, as blocked ends or for supply and exhaust; plus a possible (3rd) central supply plate. These universal end plates have threaded ports on each side and on the top. Supplied with sealed ports, simply break the respective diaphragm as required.

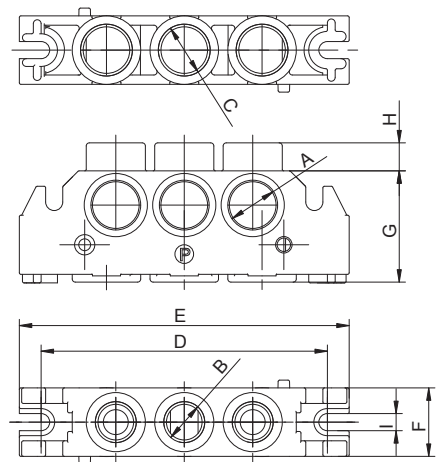
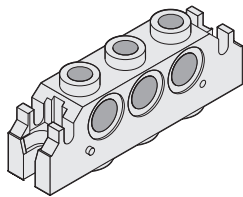


ISO	Code	A	B	C
ISO 1	76.420.00.75	G 3/8	G 1/4	G 3/8
ISO 2	76.420.00.85	G 1/2	G 1/4	G 1/2

Note: The shipment includes 1 subplate, 1 shaped seal, 2 connecting components (M5 screws DIN 912).

Subplates for ISO 1 and ISO 2 Valves - Separation Module

Externally, the separation module is identical to the end plate. The difference between it and the end plate is, however, that the separation module does not have a connection thread and that all ports are closed. The separation module can be mounted at any position on the connection plate system. Note that you cannot use the closed ports (even if you break the diaphragm), because these ports are not threaded. This module is used to separate pressure levels (or also as closed endplate).

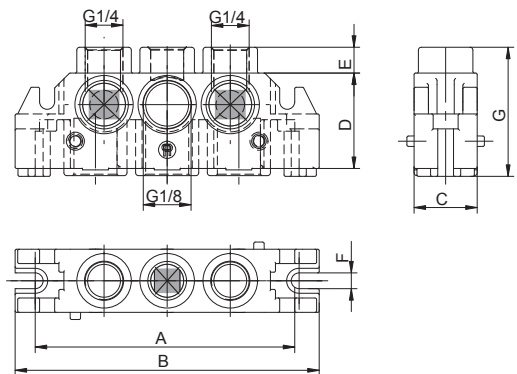
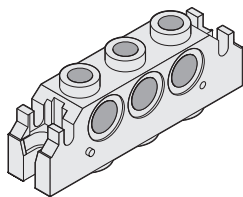


ISO	Code	A	B	C	D	E	F
ISO 1	76.420.00.27	92	106	22	36	8	5.5
ISO 2	76.420.00.28	102	120	29	43	7	6.5

Note: The shipment includes 1 subplate, 1 shaped seal, 2 connecting components (M5 screws DIN 912).

Subplates for ISO 1 and ISO 2 Valves - Intermediate Exhaust Module

Each module has 2 exhaust ports (only) for fitting of flow regulators. Designed for use in addition to the main exhaust ports of the universal end plates.



ISO	Code	A	B	C	D	E	F	G	I
ISO 1	76.420.00.29	92	106	22	36	8	5.5	5.5	5.5
ISO 2	76.420.00.30	102	120	29	43	7	6.5	6.5	6.5

Note: The shipment includes 1 subplate, 1 shaped seal, 2 connecting components (M5 screws DIN 912).

SERIES 76
ISO 1 & ISO 2 VALVES

Subplates for ISO 1 and ISO 2 Valves - End Plates Set

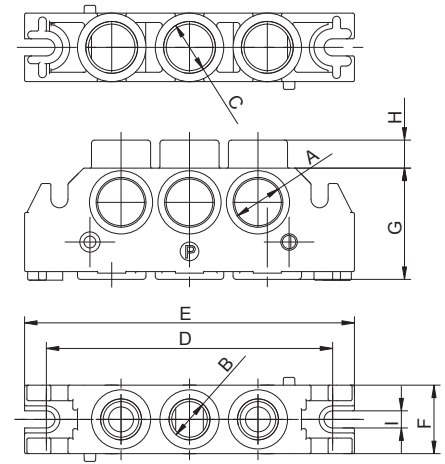
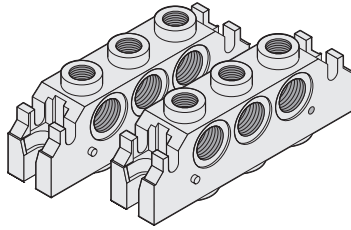
This is the easy and fast way to create a valve island. The endplates set is a kit comprising 2 plates, 2 shaped seal and 4 screws.

One piece is used as the input plate (pressure in).

The second piece could be the end plate (closed) or another input plate.

Depending on the plate, the feeding could be:

- Lateral (A)
- From above (B)
- From below (C)



ISO Plate	D	E	F	G	H	I
ISO 1 plate	92	106	22	36	8	5.5
ISO 2 plate	102	120	29	43	7	6,5

Note: The shipment includes 2 subplates, 2 shaped seal and 4 connecting components (M5 screws DIN 912).

ISO 1

Code	Type	Thread on the first plate	Thread on the second plate
76.420.00.15	input - end	open lateral (A = G3/8; B and C closed)	A, B and C closed (no thread)
76.420.00.16	input - input	open lateral (A = G3/8; B and C closed)	open lateral (A = G3/8; B and C closed)
76.420.00.17	input - end	open from above (B = G1/4; A and C closed)	A, B and C closed (no thread)
76.420.00.18	input - input	open from above (B = G1/4; A and C closed)	open from above (B = G1/4; A and C closed)
76.420.00.19	input - end	open from below (C = G3/8; A and B closed)	A, B and C closed (no thread)
76.420.00.20	input - input	open from below (C = G3/8; A and B closed)	open from below (C = G3/8; A and B closed)

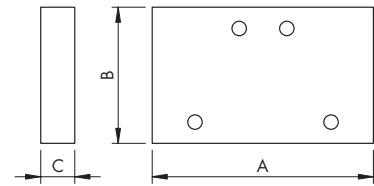
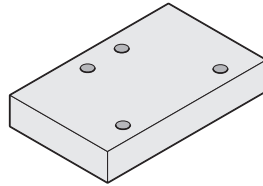
ISO 2

Code	Type	Thread on the first plate	Thread on the second plate
76.420.00.21	input - end	open lateral (A = G1/2; B and C closed)	A, B and C closed (no thread)
76.420.00.22	input - input	open lateral (A = G1/2; B and C closed)	open lateral (A = G1/2; B and C closed)
76.420.00.23	input - end	open from above (B = G1/4; A and C closed)	A, B and C closed (no thread)
76.420.00.24	input - input	open from above (B = G1/4; A and C closed)	open from above (B = G1/4; A and C closed)
76.420.00.25	input - end	open from below (C = G1/2; A and B closed)	A, B and C closed (no thread)
76.420.00.26	input - input	open from below (C = G1/2; A and B closed)	open from below (C = G1/2; A and B closed)

Note: You cannot use the closed ports (even if you break the diaphragm), because they are not threaded.

Subplates for ISO 1 and ISO 2 Valves - Blanking Plates

Subplate locations that have been provided for in the planning phase but are unused can be sealed with the dummy subplate. The vulcanized gasket ensures a perfect sealing of the air slits. This plate is mounted on the top of the subplate instead of the valve.

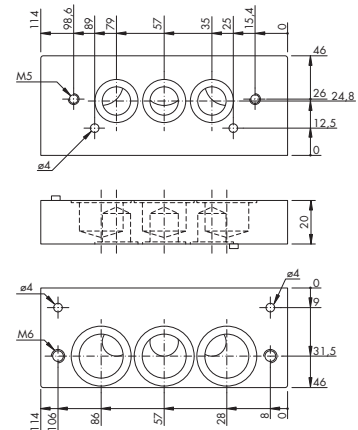
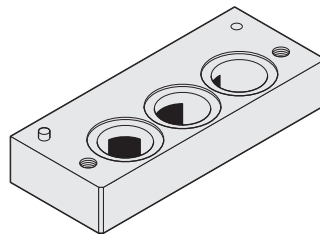


ISO	Code	A	B	C
ISO 1	76.420.00.31	68	40	6
ISO 2	76.420.00.32	80	54	6

Note: The shipment includes 4 screws.

Subplates for ISO 1 and ISO 2 Valves - Adaptor

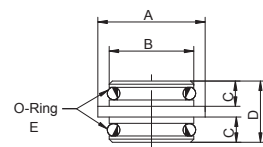
Use this adaptor to connect ISO 1 & ISO 2 sub plate assemblies.



ISO	Code
ISO 1 & ISO 2	76.420.00.33

Subplates for ISO 1 and ISO 2 Valves - Dummy Plug

Dummy plugs for sealing the pressure channel in the ISO subplate system. This plug closes the passage of air in the channels of the ISO subplate system.



ISO	Code
ISO 1	76.420.00.38
ISO 2	76.420.00.39

Note: The shipment includes 10 dummy plugs and 20 O-rings.

Subplates System Mounting Instructions

To assemble an ISO valve island you need at least:

- 1) Two Universal Endplates (or, as alternative, one Endplates set)
- 2) Two (or more) Modular use Subplates
- 3) Two (or more) ISO Valves to mount on the Subplates

Almost all demands can be realised with the connection plate system. We differentiate between two plate models:

1. Universal base plate

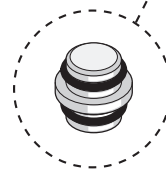
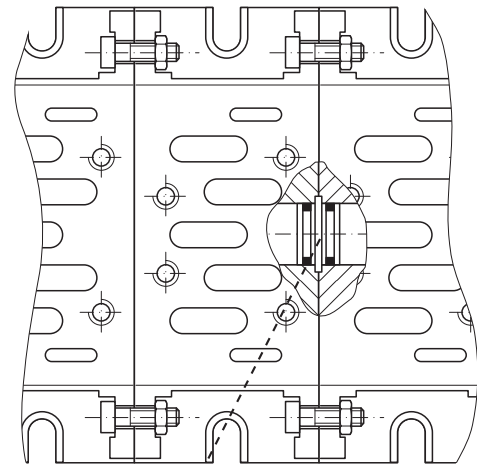
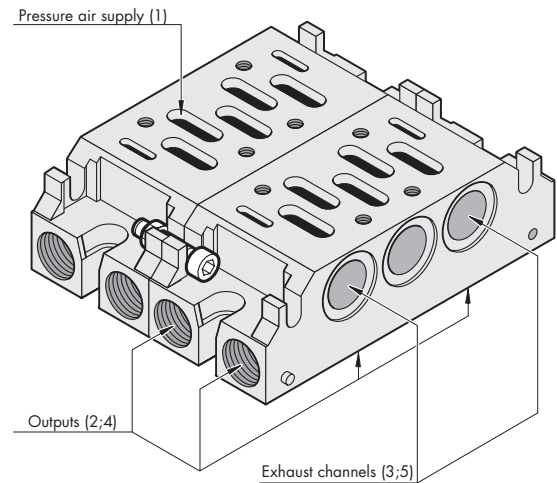
- Pressure air supply (1)
- Exhaust channels (3; 5)
- Outputs (2; 4)

The universal base plate takes the valves. The pressure air supply and exhaust is via central channels in the inside of the plate. The output connections can be screwed in laterally or from above or below. For the pneumatic control of the valve only connection from below is possible. Several plates are connected with imbus screws (DIN 912), whereby the centering is carried out by a lateral peg and a drilling. O-rings are used for the sealing. If various different pressures are to be utilized within the plate system then instead of the O-ring, a dummy plug with 2 sealing O-rings is assembled between the connection plates in the middle air channels.

2. End plates or separation plates

By combining connection, separation and end plates, a multitude of variations can be mounted without difficulty. When mounting the plates, make sure that the O-rings between the plates are centered and that the fixing elements are evenly tightened. Both dummy plugs included in the shipment of the subplates can be screwed either into the outputs (2; 4) from below or onto the front. In case of complex controls, we recommend that an extra valve location that can be closed with a dummy subplate be provided for in the planning phase. This measure pays off in case of a retrofit.

In case of doubts on assembly solutions, please contact our Sales Office.



PILOT VALVES

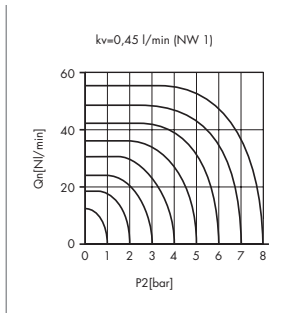
General information

Function	Section	Pressure range	Nominal orifice	Housing	Seals	Mounting	Manual override (rotating)
3/2-way Valves	A	0 - 8 bar	1 mm 1.5 mm	Plastic	NBR	76 series solenoid valves 76 series ISO valves pilot valve subplates	Yes
3/2-way Valves	B	0 - 8 bar	1.5 mm	Plastic	NBR	ISO (Connection holes according to Cnomo)	Yes
3/2-way Valves		0 - 9 bar	1.5 mm	Zamak	NBR	None	No

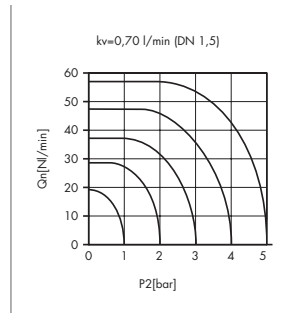
Mounting: Direct actuation

Fluid: Air and neutral gas

Ambient temperature range: From -15 °C to +50 °C



Poppet Valves
Orifice 1 mm



Poppet Valves
Orifice 1.5 mm

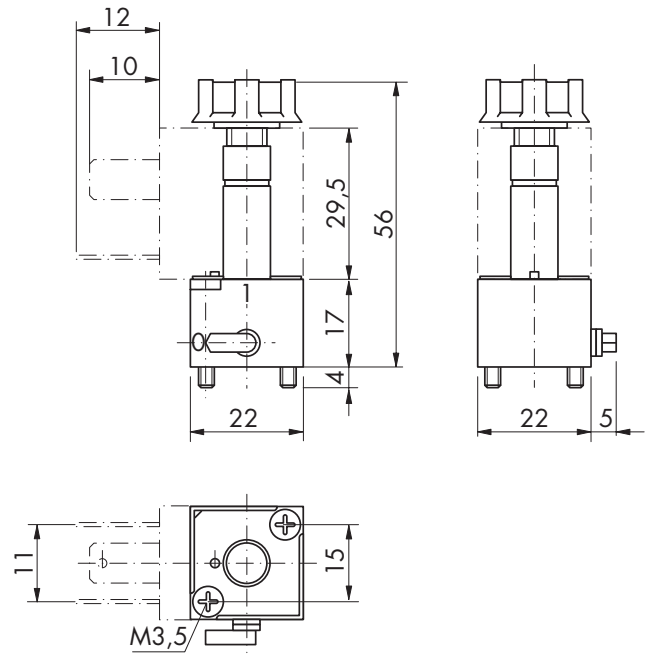
3/2-way Valves - Orifice 1 mm / 1.5 mm

SECTION A

Actuation: Solenoid

Return: Spring

Coil Type: 76.410.xx.xx only for 76.136.01.00 (order separately)
76.412.xx.xx only for 76.136.11.00 (order separately)

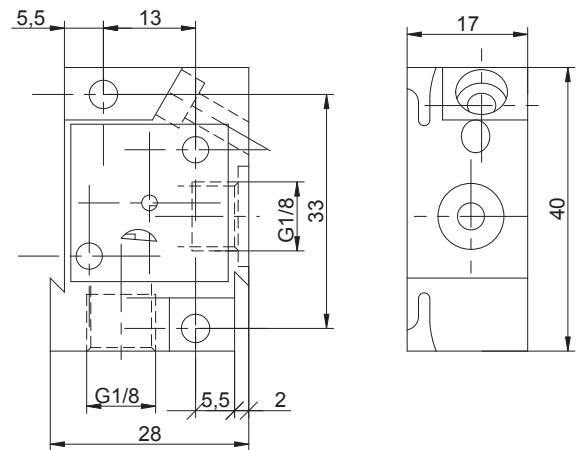
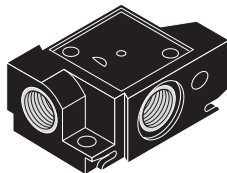


Code	Orifice	Symbol
76.136.01.00	1 mm	
76.136.11.00	1.5 mm	

Subplates

SECTION A

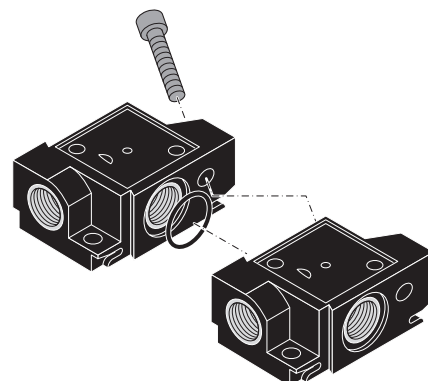
Single Subplate (Endplate)



Code	Orifice	Material
76.420.03.01	G 1/8	Plastic

Modular Version Subplate

Code	Orifice	Material
76.420.03.03	G 1/8	Plastic
76.420.03.05	G 1/8 and M5	Plastic



Note: Common air supply. As an endplate a single subplate is to be used.

SERIES 76
PILOT VALVES

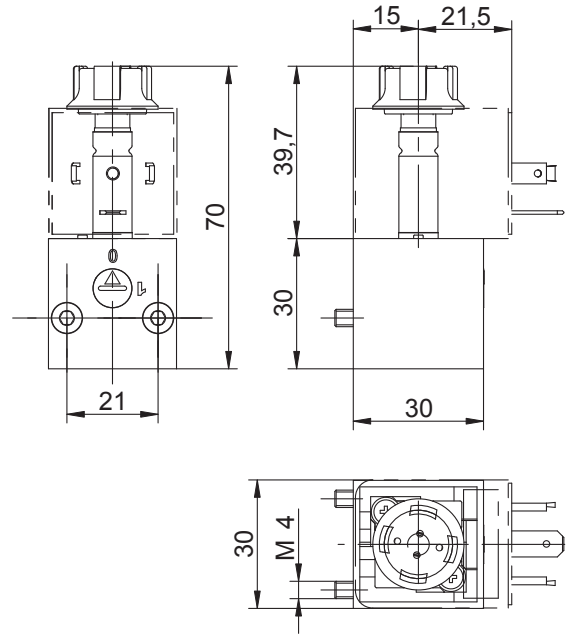
3/2-way Valves - Orifice 1.5 mm

SECTION B

Actuation: Solenoid

Return: Spring

Coil Type: 76.411.xx.xx (order separately)



Code	Orifice	Symbol
76.136.21.00	1.5 mm	

Note: Connection holes according to Cnomo.

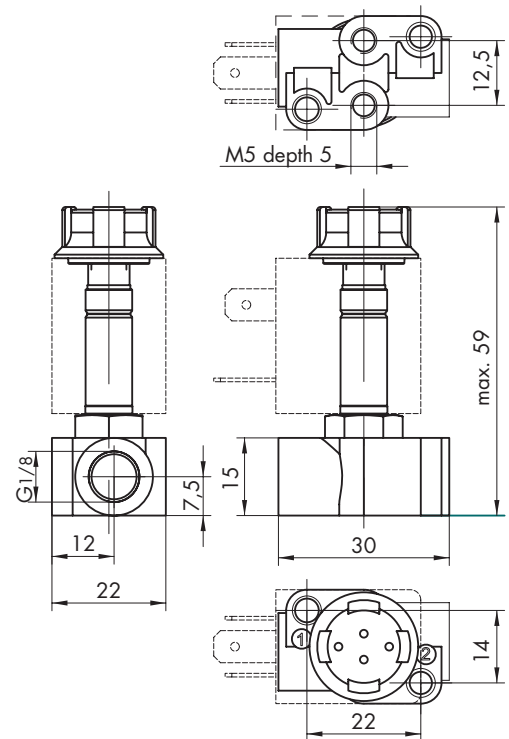
3/2-way Valves - Orifice 1.5 mm

SECTION B

Actuation: Solenoid

Return: Spring

Coil Type: 76.412.xx.xx (order separately)



Code	Orifice	Symbol
76.036.01.00	1.5 mm	

SERIES 76
PILOT VALVES

FOOT-OPERATED VALVES

General information

Function	Section	Pressure range	Pressure connection (nominal orifice)	Mounting plate	Seals	Housing
3/2-way Foot-Operated Valves	A	0 - 10 bar	G 1/8 (2 mm)	plastic (IXEF)	NBR	die-cast aluminium alloy
3/2-way Foot-Operated Valves		0 - 10 bar	G 1/4 (8 mm)	plastic (IXEF)	NBR	die-cast aluminium alloy
5/2-way Foot-Operated Valves	B	0 - 10 bar	G 1/4 (8 mm)	plastic (IXEF)	NBR	die-cast aluminium alloy

Ambient temperature range: From -15 °C to +50 °C

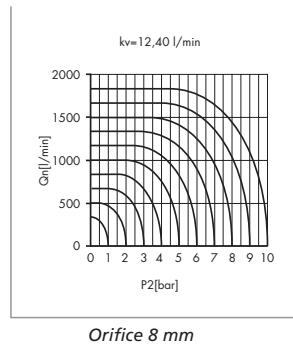
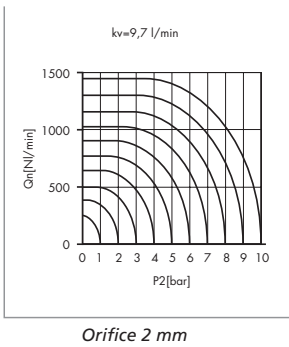
Protective Housing: Plastic (Polycarbonate)

Valve Type: Poppet valves

Mounting: Any position

Lubricant: Not required

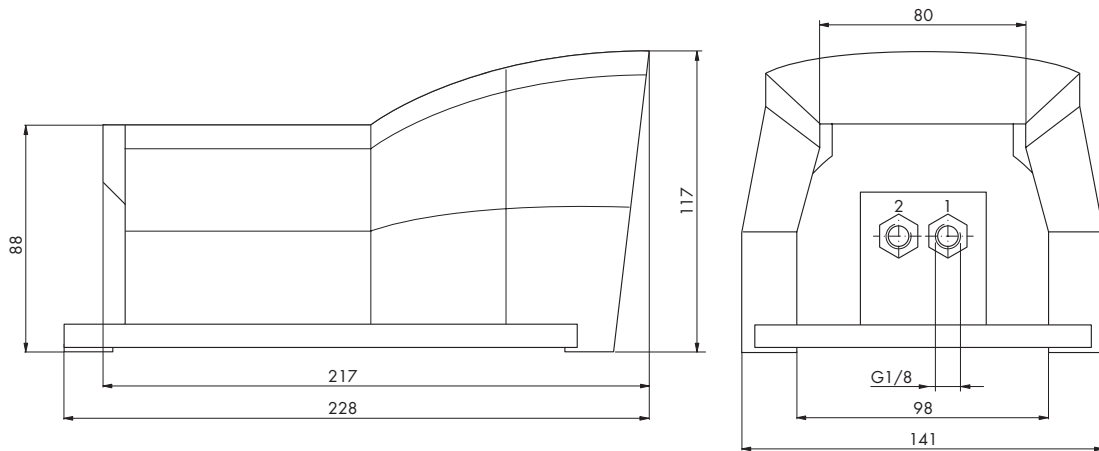
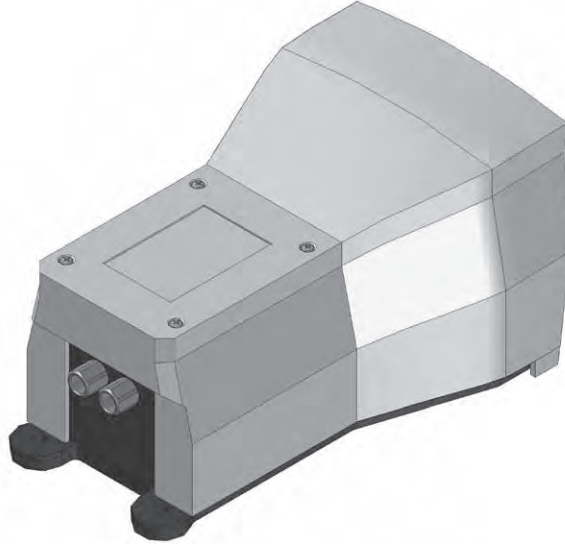
Operating medium: 5 micron filtered, lubricated (or not) compressed air; also suitable for other media conforming to ISO-VG 10



3/2-way Foot-Operated Valves - G 1/8 (D_{nom} 2 mm)

Actuation: Foot-operated

Return: Spring
Maintained position



SERIES 76
FOOT-OPERATED VALVES

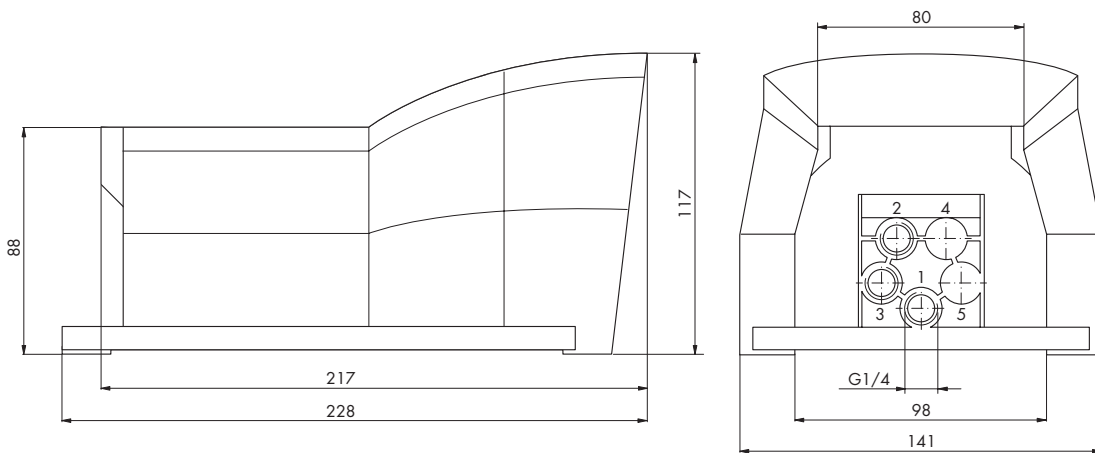
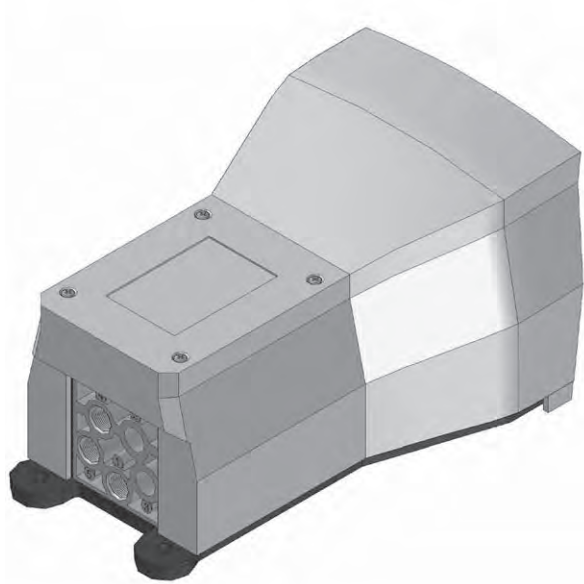
Code	Return	Colours	Symbol
76.026.68.21	Spring	yellow	
76.026.69.21	Spring	blue	
76.026.68.29	Maintained position	yellow	
76.026.69.29	Maintained position	blue	

3/2-way Foot-Operated Valves - G 1/4 (D_{nom} 8 mm)

SECTION A

Actuation: Foot-operated

Return: Spring
Maintained position



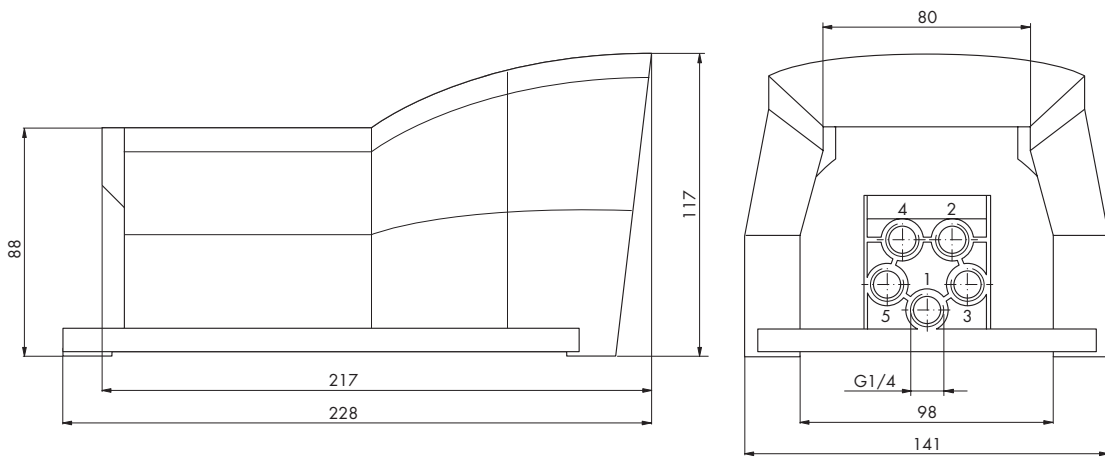
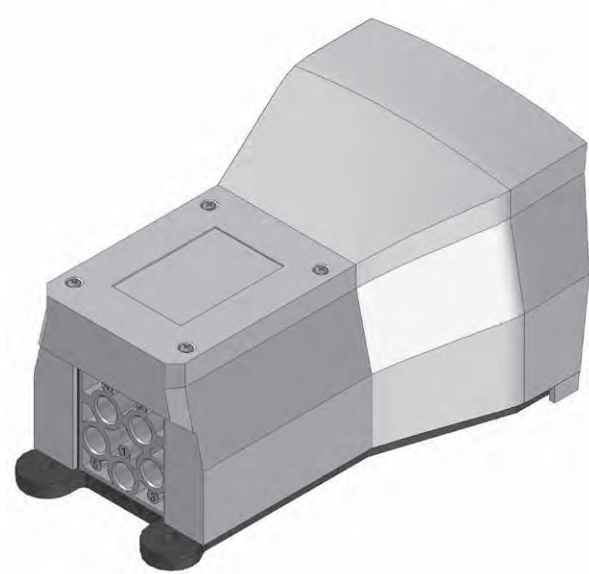
Code	Return	Colours	Symbol
76.046.68.21	Spring	yellow	
76.046.69.21	Spring	blue	
76.046.68.29	Maintained position	yellow	
76.046.69.29	Maintained position	blue	

5/2-way Foot-Operated Valves - G 1/4 (D_{nom} 8 mm)

SECTION B

Actuation: Foot-operated

Return: Spring
Maintained position



SERIES 76
FOOT-OPERATED VALVES

Code	Return	Colours	Symbol
76.047.68.41	Spring	yellow	
76.047.69.41	Spring	blue	
76.047.68.49	Maintained position	yellow	
76.047.69.49	Maintained position	blue	

ATEX & VACUUM VALVES

General information

Many 76 series pneumatic and electrically operated directional control valves are available with ATEX certification.

ATEX certified valves are identified by the standard part number plus the suffix EX.

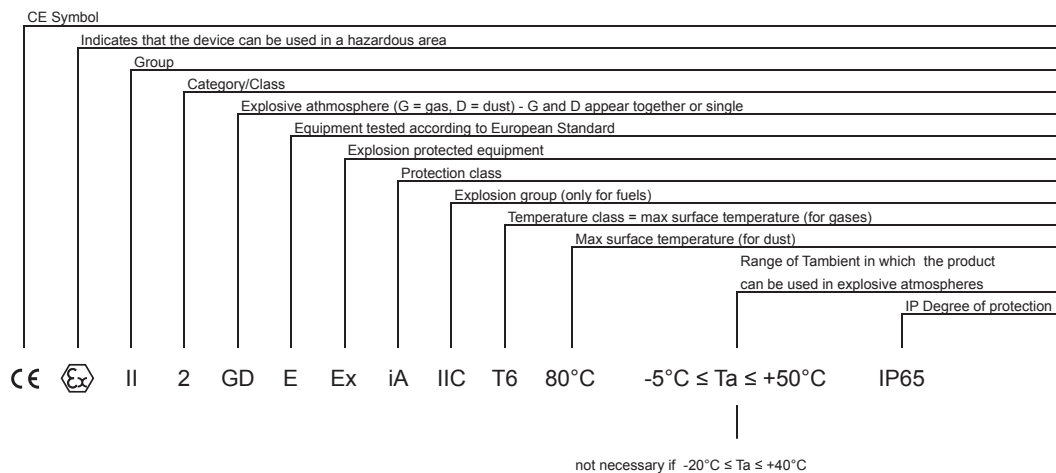
Example

Type: ISO 2
 Pneumatic Valve
 5/2-way
 Poppet valves
 Actuation: pneumatic
 Return: spring

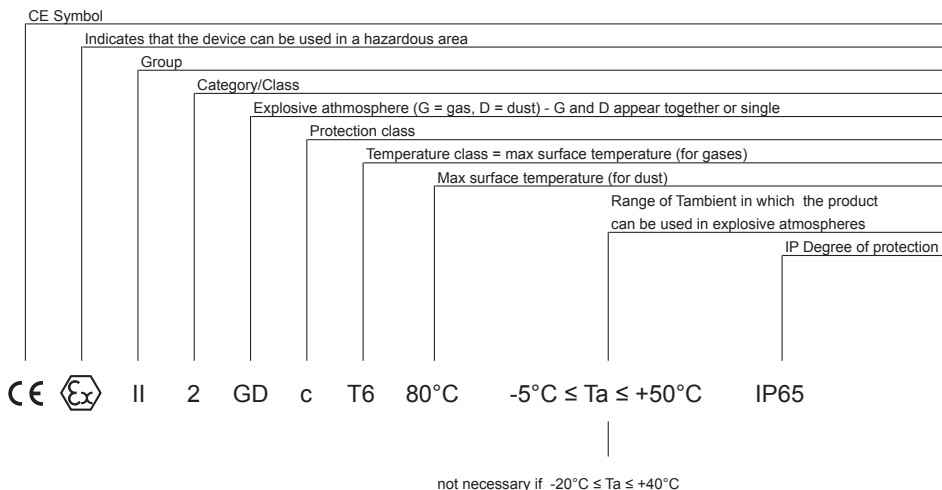
Code	76.097.71.41.EX
------	-----------------



ATEX classification for 76 series solenoids (electrical)



ATEX classification for 76 series pneumatic devices (mechanical)



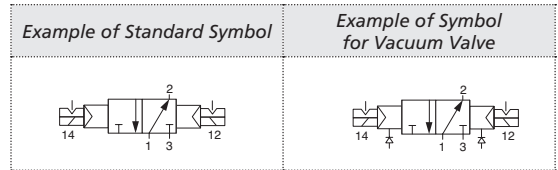
Vacuum Valves

SECTION D

The 76 series range of valves is also available for use with vacuum systems.
Please contact our sales department for other types of vacuum valves.

Actuation: Solenoid (External pneumatic auxiliary port)

Coil Type: 76.410.xx.xx (order separately)



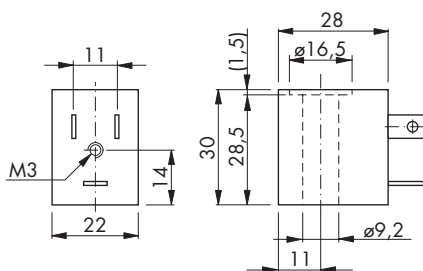
Code	Function	Pressure connection	Pilot Pressure Connection	Valve Type	Housing	Actuation	Return
76.226.11.00	3/2 NO	G1/8	M5	Poppet valves	Die-cast and varnished aluminium alloy	Solenoid	Spring
76.226.71.31						Pneumatic	Spring
76.246.11.00		G1/4	M5			Solenoid	Spring
76.246.71.31						Pneumatic	Spring
76.266.11.00		G1/2	G1/8			Solenoid	Spring
76.266.81.31						Pneumatic	Spring
76.226.01.00	3/2 NC	G1/8	M5	Poppet valves	Die-cast and varnished aluminium alloy	Solenoid	Spring
76.226.71.21						Pneumatic	Spring
76.246.01.00		G1/4	M5			Solenoid	Spring
76.246.71.21						Pneumatic	Spring
76.266.01.00		G1/2	G1/8			Solenoid	Spring
76.266.81.21						Pneumatic	Spring

COILS

Coils Type 76 - DIN B

These standard coils are common to the whole range of 76 series valves (except for Cnomo models).

- Electrical standards:** EN 60335-1, EN 60730-1
- Pull-in power:** Approx. 1.5 x nominal (AC)
- Insulation class:** F (155 °C)
- Duty cycle:** Continuous 100%
- Copper enamelled wire:** Temperature class H (200 °C)
- Bobbin materials:** PA 6.6
- Cover:** Die-cast material PA 6.6
- Electrical connections:** 3 spade connectors (6.3 x 0.8 DIN 46247) for plug in socket (order separately) - Type B



Low Power Version (2.5 W)

Code	Power	Voltage	Nominal resistance [Ω]	Nominal current [mA]	Return power	Pull-in time	Drop-out time
76.410.00.01	(DC Version) approx. 2.5 W	12	56	214	0.1 W	15-20 ms	15-20 ms
76.410.00.02		24	220	109			
76.410.00.03		48	900	53			
76.410.00.04		110	4300	25.5			
76.410.02.12	(AC Version) approx. 4.0 / 3.5 VA (50/60Hz)	24	56	167/146	1.5 VA	15-20 ms	15-20 ms
76.410.02.13		48	220	84/73			
76.410.02.14		110	1280	37/32			
76.410.02.15		230	4750	18/16			

High Power Version (6 W)

Code	Power	Voltage	Nominal resistance [Ω]	Nominal current [mA]	Return power	Pull-in time	Drop-out time
76.412.00.01	(DC Version) approx. 6 W	12	24	500	0.1 W	15-20 ms	15-20 ms
76.412.00.02		24	95	252			
76.412.00.03		48	380	126			
76.412.00.04		110	2200	50			
76.412.02.12	(AC Version) approx. 8.0 / 6.7 VA (50/60Hz)	24	32	430/363	1.5 VA	15-20 ms	15-20 ms
76.412.02.13		48	130	145/122			
76.412.02.14		110	730	80/66			
76.412.02.15		230	3000	40/34			

Coils Type 76 - DIN A

These coils are only used with 76 series Cnomo valves.

Electrical standards: EN 60335-1, EN 60730-1

Pull-in power: Approx. 1.5 x nominal (AC)

Insulation class: F (155 °C)

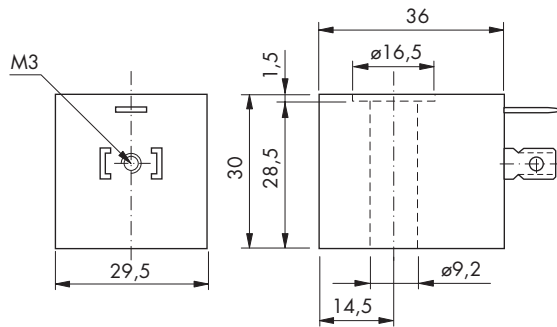
Duty cycle: Continuous 100%

Copper enamelled wire: Temperature class H (200 °C)

Bobbin materials: PA 6.6

Cover: Die-cast material PA 6.6

Electrical connections: 3 spade connectors (6.3 x 0.8 DIN 46247) for plug in socket (order separately) - Type A



Code	Power	Voltage	Nominal resistance [Ω]	Nominal current [mA]	Return power	Pull-in time	Drop-out time
76.411.00.01	(DC Version) approx. 2 W	12	67	179	0.1 W	15-20 ms	15-20 ms
76.411.00.02		24	270	89			
76.411.00.03		48	1060	45			
76.411.00.04		110	4850	23			
76.411.02.12	(AC Version) approx. 5.0 / 4.2 VA (50/60Hz)	24	34	208/175	1.2 VA	15-20 ms	15-20 ms
76.411.02.13		48	135	104/88			
76.411.02.14		110	780	46/38			
76.411.02.15		230	3100	23/19			

PLUG-IN SOCKETS

Plug-in Socket - DIN 43650 Type A

Nominal Voltage AC/DC: 250V AC/DC

Nominal current: 10 A

Contact resistance: $\leq 5 \text{ m}\Omega$

Wire cross section: max 1.5 mm² (AWG 16)

Casing: PA6 GF

LED: none

No. of poles: 2+ground (earth position H12)

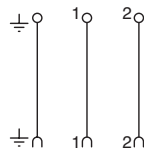
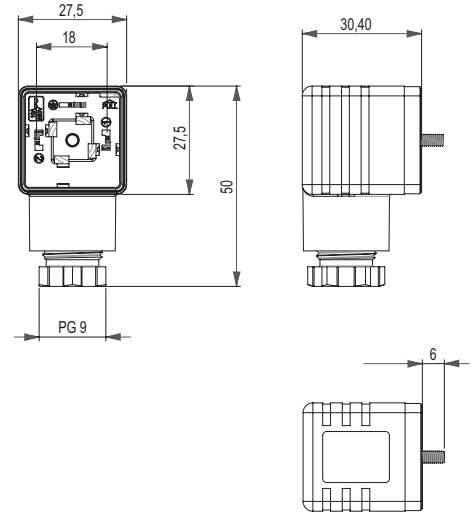
Cable screw connection: Pg 9

Protection: IP 65 (if correctly assembled)

Gasket: flat

Colour: black

Ambient temperature: from -40 °C to +100 °C



Code	Voltage
PAP.00.N000	Up to 250V

Plug-in Socket - DIN 43650 Type A (LED)

Nominal Voltage AC/DC: see order code

Nominal current: 4 A

Contact resistance: $\leq 5 \text{ m}\Omega$

Wire cross section: max 1.5 mm²

Casing: PA12

LED: yellow

No. of poles: 2+ground (earth position H12)

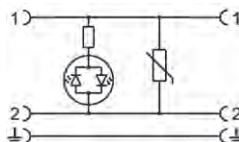
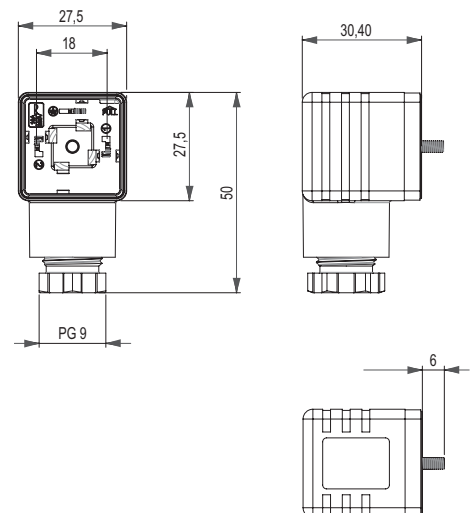
Cable screw connection: Pg 9

Protection: IP 65 (if correctly assembled)

Gasket: flat

Colour: transparent

Ambient temperature: from -20 °C to +80 °C



Code	Voltage
PAP.00.Y024	24V
PAP.00.Y115	115V
PAP.00.Y230	230V

Plug-in Socket - DIN 43650 Type B

Nominal Voltage AC/DC: 250V AC/DC

Nominal current: 10 A

Contact resistance: <= 5 mΩ

Wire cross section: max 1.5 mm² (AWG 16)

Casing: PA6 GF

LED: none

No. of poles: 2+ground (earth position H12)

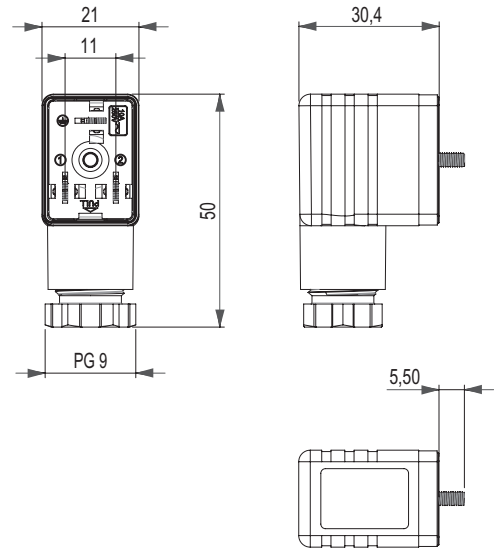
Cable screw connection: Pg 9

Protection: IP 65 (if correctly assembled)

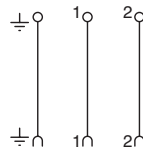
Gasket: flat

Colour: black

Ambient temperature: from -40 °C to +100 °C



Code	Voltage
PBP.00.N000	Up to 250V



Plug-in Socket - DIN 43650 Type B (LED)

Nominal Voltage AC/DC: see order code

Nominal current: 4 A

Contact resistance: <= 5 mΩ

Wire cross section: max 1.5 mm²

Casing: PA12

LED: yellow

No. of poles: 2+ground (earth position H12)

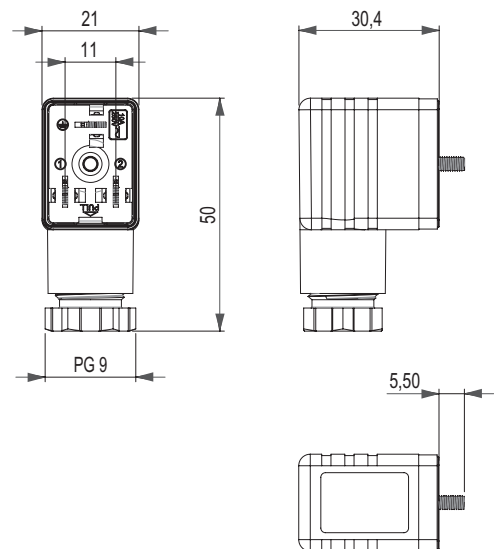
Cable screw connection: Pg 9

Protection: IP 65 (if correctly assembled)

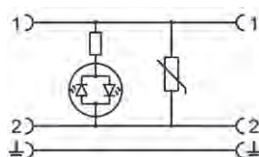
Gasket: flat

Colour: transparent

Ambient temperature: from -20 °C to +80 °C



Code	Voltage
PBP.00.Y024	24V
PBP.00.Y115	115V
PBP.00.Y230	230V



PART No. INDEX

Part No. Index

VALVE	TYPE	ID	PAGE
76.022.21.21	MECH	54575	A - 19
76.022.21.22	MECH	131536	A - 42
76.022.22.21	MECH	61083	A - 19
76.022.23.10	MECH	54582	A - 22
76.022.23.21	MECH	54582	A - 20
76.022.23.22	MECH	64641	A - 42
76.022.24.21	MECH	62129	A - 20
76.022.25.00	MECH	61037	A - 21
76.022.25.21	MECH	57928	A - 21
76.022.25.22	MECH	78987	A - 42
76.022.26.21	MECH	54588	A - 21
76.022.27.00	MECH	61340	A - 23
76.022.27.21	MECH	54613	A - 23
76.022.27.22	MECH	64636	A - 42
76.022.32.21	MECH	65733	A - 19
76.022.33.21	MECH	64663	A - 20
76.022.34.21	MECH	64763	A - 21
76.022.41.21	MECH	131538	A - 24
76.022.42.21	MECH	62335	A - 24
76.022.43.21	MECH	131539	A - 25
76.022.44.21	MECH	58100	A - 25
76.022.45.21	MECH	63650	A - 25
76.022.46.21	MECH	69526	A - 26
76.022.47.21	MECH	62152	A - 26
76.022.48.21	MECH	63150	A - 27
76.022.49.21	MECH	62077	A - 27
76.022.51.21	MECH	131540	A - 24
76.022.52.21	MECH	78198	A - 24
76.022.53.21	MECH	131541	A - 25
76.022.54.21	MECH	71216	A - 25
76.022.55.21	MECH	131542	A - 25
76.022.56.21	MECH	73052	A - 26
76.022.57.21	MECH	131543	A - 26
76.022.58.21	MECH	70534	A - 27
76.022.59.21	MECH	131544	A - 27
76.022.61.21	MECH	62068	A - 23
76.022.61.22	MECH	78988	A - 42
76.022.61.23	MECH	64622	A - 23
76.022.61.24	MECH	64621	A - 23
76.022.62.21	MECH	61319	A - 22
76.022.62.22	MECH	131545	A - 42
76.022.62.23	MECH	73893	A - 22
76.022.62.24	MECH	72538	A - 22
76.022.65.21	MECH	64664	A - 23
76.022.65.23	MECH	131546	A - 23
76.022.65.24	MECH	131547	A - 23
76.022.66.21	MECH	70553	A - 22
76.022.66.23	MECH	131549	A - 22
76.022.66.24	MECH	131550	A - 22
76.022.71.21	PNEUM	58110	A - 46
76.022.71.22	PNEUM	62147	A - 46
76.023.21.41	MECH	54616	A - 29
76.023.21.42	MECH	78990	A - 42
76.023.22.41	MECH	63373	A - 29
76.023.22.42	MECH	131553	A - 42
76.023.23.10	MECH	131554	A - 32
76.023.23.41	MECH	54639	A - 30

VALVE	TYPE	ID	PAGE
76.023.23.42	MECH	78991	A - 42
76.023.24.41	MECH	64762	A - 30
76.023.24.42	MECH	149100	A - 42
76.023.25.40	MECH	62096	A - 31
76.023.25.41	MECH	54647	A - 31
76.023.25.42	MECH	78992	A - 42
76.023.26.41	MECH	54660	A - 31
76.023.27.40	MECH	54676	A - 33
76.023.27.41	MECH	54666	A - 33
76.023.27.42	MECH	61244	A - 42
76.023.32.41	MECH	68681	A - 29
76.023.33.41	MECH	64761	A - 30
76.023.34.41	MECH	131556	A - 31
76.023.41.41	MECH	131557	A - 35
76.023.42.41	MECH	83473	A - 35
76.023.42.42	MECH	131558	A - 42
76.023.43.41	MECH	131559	A - 36
76.023.44.41	MECH	75483	A - 36
76.023.45.41	MECH	131560	A - 36
76.023.46.41	MECH	66225	A - 37
76.023.47.41	MECH	66226	A - 37
76.023.48.41	MECH	68765	A - 38
76.023.49.41	MECH	131561	A - 38
76.023.51.41	MECH	131562	A - 35
76.023.52.41	MECH	131563	A - 35
76.023.53.41	MECH	131564	A - 36
76.023.54.41	MECH	131565	A - 36
76.023.55.41	MECH	131566	A - 36
76.023.56.41	MECH	78199	A - 37
76.023.57.41	MECH	65970	A - 37
76.023.58.41	MECH	131567	A - 38
76.023.59.41	MECH	131568	A - 38
76.023.61.41	MECH	57931	A - 33
76.023.61.42	MECH	131569	A - 42
76.023.61.43	MECH	131570	A - 33
76.023.61.44	MECH	131571	A - 33
76.023.62.41	MECH	75341	A - 32
76.023.62.42	MECH	131572	A - 42
76.023.62.43	MECH	131573	A - 32
76.023.62.44	MECH	131574	A - 32
76.023.65.41	MECH	62546	A - 33
76.023.65.43	MECH	-	A - 33
76.023.65.44	MECH	-	A - 33
76.023.66.41	MECH	56566	A - 32
76.023.66.43	MECH	-	A - 32
76.023.66.44	MECH	154957	A - 32
76.023.71.41	PNEUM	61024	A - 50
76.023.71.42	PNEUM	60950	A - 50
76.023.71.47	PNEUM	61033	A - 50
76.023.72.72	PNEUM	78200	A - 52
76.023.91.00	SOLEN	60987	A - 8
76.023.92.00	SOLEN	63651	A - 8
76.023.94.00	SOLEN	64473	A - 8
76.023.95.00	SOLEN	62340	A - 8
76.024.02.00	SOLEN	62881	A - 8
76.024.05.00	SOLEN	78201	A - 8
76.024.12.00	SOLEN	62882	A - 8

Part No. Index

VALVE	TYPE	ID	PAGE
76.024.15.00	SOLEN	63135	A - 8
76.024.25.28	MECH	65244	A - 34
76.024.25.29	MECH	62841	A - 34
76.024.25.38	MECH	62842	A - 34
76.024.25.39	MECH	54675	A - 34
76.024.71.28	PNEUM	63375	A - 50
76.024.71.38	PNEUM	62098	A - 50
76.025.21.21	MECH	62539	A - 18
76.025.23.21	MECH	57951	A - 18
76.025.24.21	MECH	62540	A - 18
76.026.01.00	SOLEN	62883	A - 4
76.026.11.00	SOLEN	62140	A - 4
76.026.21.21	MECH	54679	A - 18
76.026.23.21	MECH	54698	A - 18
76.026.24.21	MECH	62639	A - 18
76.026.60.21	MECH	131582	A - 41
76.026.60.31	MECH	78993	A - 41
76.026.63.21	MECH	78994	A - 41
76.026.63.31	MECH	78995	A - 41
76.026.64.21	MECH	78203	A - 41
76.026.64.31	MECH	131583	A - 41
76.026.67.21	MECH	131584	A - 41
76.026.67.31	MECH	131585	A - 41
76.026.68.21	FOOT-OPER.	58101	A - 82
76.026.68.29	FOOT-OPER.	62884	A - 82
76.026.69.21	FOOT-OPER.	63291	A - 82
76.026.69.29	FOOT-OPER.	62139	A - 82
76.026.71.21	PNEUM	54704	A - 44
76.026.71.31	PNEUM	66344	A - 44
76.026.74.21	MECH	131586	A - 41
76.027.60.10	MECH	131589	A - 41
76.027.60.41	MECH	78205	A - 41
76.027.60.42	MECH	131590	A - 41
76.027.64.41	MECH	131591	A - 41
76.027.67.41	MECH	131592	A - 41
76.027.67.60	MECH	131593	A - 41
76.027.70.41	MECH	131594	A - 41
76.027.71.41	PNEUM	54737	A - 48
76.027.71.42	PNEUM	63376	A - 48
76.027.71.47	PNEUM	64958	A - 48
76.027.74.41	MECH	131595	A - 41
76.027.91.00	SOLEN	60977	A - 5
76.027.92.00	SOLEN	62538	A - 5
76.027.94.00	SOLEN	65442	A - 5
76.027.95.00	SOLEN	66978	A - 5
76.036.01.00	DIRECTIONAL	64116	A - 79
76.036.71.21	PNEUM	62097	A - 44
76.042.25.00	MECH	62885	A - 28
76.042.25.21	MECH	54755	A - 28
76.042.25.22	MECH	131597	A - 42
76.042.27.00	MECH	61451	A - 28
76.042.27.21	MECH	54756	A - 28
76.043.25.40	MECH	61059	A - 39
76.043.25.41	MECH	62066	A - 39
76.043.25.42	MECH	131599	A - 42
76.043.27.40	MECH	61341	A - 39
76.043.27.41	MECH	61084	A - 39

VALVE	TYPE	ID	PAGE
76.043.27.42	MECH	66122	A - 42
76.043.72.72	PNEUM	78207	A - 52
76.043.81.41	PNEUM	62149	A - 51
76.043.81.42	PNEUM	62150	A - 51
76.043.81.47	PNEUM	66092	A - 51
76.043.91.00	SOLEN	61427	A - 9
76.043.92.00	SOLEN	62869	A - 9
76.043.94.00	SOLEN	62886	A - 9
76.043.95.00	SOLEN	62341	A - 9
76.044.02.00	SOLEN	63871	A - 9
76.044.05.00	SOLEN	73387	A - 9
76.044.12.00	SOLEN	58193	A - 9
76.044.15.00	SOLEN	61011	A - 9
76.044.25.28	MECH	62146	A - 40
76.044.25.29	MECH	62145	A - 40
76.044.25.38	MECH	62554	A - 40
76.044.25.39	MECH	61068	A - 40
76.044.81.28	PNEUM	63379	A - 51
76.044.81.38	PNEUM	67238	A - 51
76.046.01.00	SOLEN	60976	A - 4
76.046.11.00	SOLEN	62868	A - 4
76.046.60.21	MECH	78208	A - 41
76.046.60.31	MECH	131604	A - 41
76.046.63.21	MECH	78999	A - 41
76.046.64.21	MECH	131605	A - 41
76.046.64.31	MECH	131606	A - 41
76.046.67.21	MECH	131607	A - 41
76.046.67.31	MECH	78209	A - 41
76.046.68.21	FOOT-OPER.	64332	A - 83
76.046.68.29	FOOT-OPER.	62888	A - 83
76.046.69.21	FOOT-OPER.	60841	A - 83
76.046.69.29	FOOT-OPER.	62172	A - 83
76.046.70.21	MECH	67162	A - 41
76.046.70.31	MECH	131609	A - 41
76.046.71.21	PNEUM	54730	A - 45
76.046.71.31	PNEUM	63088	A - 45
76.046.74.21	MECH	131610	A - 41
76.047.60.10	MECH	131611	A - 41
76.047.60.41	MECH	131612	A - 41
76.047.64.41	MECH	131613	A - 41
76.047.67.41	MECH	131614	A - 41
76.047.68.41	FOOT-OPER.	62890	A - 84
76.047.68.49	FOOT-OPER.	54760	A - 84
76.047.69.41	FOOT-OPER.	60842	A - 84
76.047.69.49	FOOT-OPER.	61075	A - 84
76.047.70.41	MECH	78210	A - 41
76.047.74.41	MECH	131619	A - 41
76.047.81.41	PNEUM	54763	A - 48
76.047.81.42	PNEUM	54764	A - 49
76.047.81.47	PNEUM	68960	A - 49
76.047.91.00	SOLEN	61009	A - 6
76.047.92.00	SOLEN	61008	A - 6
76.047.94.00	SOLEN	62887	A - 6
76.047.95.00	SOLEN	60996	A - 6
76.066.01.00	SOLEN	61019	A - 4
76.066.11.00	SOLEN	62843	A - 4
76.066.81.21	PNEUM	62641	A - 45

Part No. Index

VALVE	TYPE	ID	PAGE
76.066.81.31	PNEUM	63939	A - 45
76.067.81.41	PNEUM	63380	A - 49
76.067.81.42	PNEUM	62891	A - 49
76.067.81.47	PNEUM	63940	A - 49
76.067.91.00	SOLEN	62870	A - 7
76.067.92.00	SOLEN	62144	A - 7
76.067.94.00	SOLEN	66976	A - 7
76.067.95.00	SOLEN	66977	A - 7
76.073.91.00	NAMUR	74247	A - 62
76.073.93.00	NAMUR	-	A - 62
76.074.02.00	NAMUR	131623	A - 62
76.074.12.00	NAMUR	131624	A - 62
76.077.91.00	NAMUR	72335	A - 62
76.077.92.00	NAMUR	72917	A - 62
76.083.71.41	ISO	64406	A - 68
76.083.71.42	ISO	63277	A - 68
76.083.71.47	ISO	66095	A - 68
76.083.71.52	ISO	83381	A - 70
76.083.72.72	ISO	78211	A - 71
76.083.88.00	SOLEN	78212	A - 10
76.083.89.00	SOLEN	64543	A - 10
76.083.89.42	PNEUM	64985	A - 53
76.083.90.00	SOLEN	78213	A - 11
76.083.90.42	PNEUM	131627	A - 54
76.083.91.00	ISO	63268	A - 64
76.083.92.00	ISO	63270	A - 64
76.083.94.00	ISO	60971	A - 65
76.083.95.00	ISO	60970	A - 65
76.083.97.00	ISO	62141	A - 66
76.083.98.00	ISO	62854	A - 66
76.084.02.00	ISO	63279	A - 64
76.084.05.00	ISO	63273	A - 65
76.084.08.00	ISO	62856	A - 66
76.084.12.00	ISO	65945	A - 64
76.084.15.00	ISO	62537	A - 65
76.084.18.00	ISO	62555	A - 66
76.084.71.28	ISO	63416	A - 68
76.084.71.38	ISO	74646	A - 68
76.087.71.41	ISO	54795	A - 68
76.087.71.42	ISO	54796	A - 68
76.087.71.47	ISO	131632	A - 68
76.087.71.52	ISO	79001	A - 70
76.087.72.41	ISO	78214	A - 70
76.087.91.00	ISO	63269	A - 64
76.087.92.00	ISO	63272	A - 64
76.087.94.00	ISO	63719	A - 65
76.087.95.00	ISO	60969	A - 65
76.087.97.00	ISO	64005	A - 66
76.087.98.00	ISO	64764	A - 66
76.093.71.41	ISO	62151	A - 69
76.093.71.42	ISO	62099	A - 69
76.093.71.47	ISO	75769	A - 69
76.093.97.00	ISO	62143	A - 67
76.093.98.00	ISO	62142	A - 67
76.094.08.00	ISO	62857	A - 67
76.094.18.00	ISO	62858	A - 67
76.094.71.28	ISO	63384	A - 69

VALVE	TYPE	ID	PAGE
76.094.71.38	ISO	62808	A - 69
76.097.71.41	ISO	54811	A - 69
76.097.71.42	ISO	54812	A - 69
76.097.71.47	ISO	70399	A - 69
76.097.97.00	ISO	63720	A - 67
76.097.98.00	ISO	68961	A - 67
76.123.71.41	PLASTIC	63144	A - 57
76.123.71.42	PLASTIC	57860	A - 57
76.123.71.47	PLASTIC	66762	A - 57
76.123.91.00	PLASTIC	61428	A - 56
76.123.92.00	PLASTIC	62339	A - 56
76.123.93.00	PLASTIC	78217	A - 56
76.124.02.00	PLASTIC	63872	A - 56
76.124.12.00	PLASTIC	63873	A - 56
76.124.71.28	PLASTIC	54829	A - 57
76.124.71.38	PLASTIC	54836	A - 57
76.127.71.41	PLASTIC	54837	A - 57
76.127.71.42	PLASTIC	54859	A - 57
76.127.71.47	PLASTIC	65441	A - 57
76.127.91.00	PLASTIC	57837	A - 56
76.127.92.00	PLASTIC	57836	A - 56
76.127.93.00	PLASTIC	64013	A - 56
76.136.01.00	DIRECTIONAL	63926	A - 78
76.136.11.00	DIRECTIONAL	78218	A - 78
76.136.21.00	DIRECTIONAL	71541	A - 79
76.226.01.00	VACUUM	78219	A - 86
76.226.11.00	VACUUM	131649	A - 86
76.226.71.21	VACUUM	131650	A - 86
76.226.71.31	VACUUM	131651	A - 86
76.246.01.00	VACUUM	78220	A - 86
76.246.11.00	VACUUM	78221	A - 86
76.246.71.21	VACUUM	131652	A - 86
76.246.71.31	VACUUM	131653	A - 86
76.266.01.00	VACUUM	77315	A - 86
76.266.11.00	VACUUM	78222	A - 86
76.266.81.21	VACUUM	131654	A - 86
76.266.81.31	VACUUM	131655	A - 86
76.323.91.00	SOLEN	131656	A - 12
76.323.92.00	SOLEN	131657	A - 12
76.326.01.00	SOLEN	131658	A - 12
76.326.11.00	SOLEN	79006	A - 12
76.327.91.00	SOLEN	131659	A - 12
76.327.92.00	SOLEN	131660	A - 12
76.343.91.00	SOLEN	131661	A - 12
76.343.92.00	SOLEN	131662	A - 12
76.344.02.00	SOLEN	131663	A - 12
76.346.01.00	SOLEN	100484	A - 12
76.346.11.00	SOLEN	79007	A - 12
76.347.91.00	SOLEN	131664	A - 12
76.347.92.00	SOLEN	131665	A - 12
76.366.01.00	SOLEN	131666	A - 12
76.366.11.00	SOLEN	131667	A - 12
76.367.91.00	SOLEN	79008	A - 12
76.367.92.00	SOLEN	79009	A - 12
76.367.95.00	SOLEN	131668	A - 12
76.383.97.00	SOLEN	131669	A - 12
76.384.05.00	SOLEN	79010	A - 12

Part No. Index

VALVE	TYPE	ID	PAGE
76.387.94.00	SOLEN	131670	A - 12
76.387.97.00	SOLEN	79011	A - 12
76.387.98.00	SOLEN	131671	A - 12
76.393.97.00	SOLEN	131672	A - 12
76.393.98.00	SOLEN	131673	A - 12
76.397.97.00	SOLEN	131674	A - 12
76.410.00.01	COILS	62154	A - 87
76.410.00.02	COILS	57843	A - 87
76.410.00.03	COILS	61976	A - 87
76.410.00.04	COILS	60915	A - 87
76.410.02.12	COILS	60972	A - 87
76.410.02.13	COILS	61086	A - 87
76.410.02.14	COILS	62499	A - 87
76.410.02.15	COILS	55476	A - 87
76.411.00.01	COILS	62859	A - 88
76.411.00.02	COILS	62860	A - 88
76.411.00.03	COILS	62861	A - 88
76.411.00.04	COILS	63620	A - 88
76.411.02.12	COILS	62862	A - 88
76.411.02.13	COILS	67908	A - 88
76.411.02.14	COILS	62864	A - 88
76.411.02.15	COILS	55482	A - 88
76.412.00.01	COILS	64117	A - 87
76.412.00.02	COILS	64338	A - 87
76.412.00.03	COILS	64337	A - 87
76.412.00.04	COILS	78772	A - 87
76.412.02.12	COILS	64573	A - 87
76.412.02.13	COILS	64572	A - 87
76.412.02.14	COILS	70003	A - 87
76.412.02.15	COILS	64118	A - 87
76.420.00.01	PLASTIC	55489	A - 58
76.420.00.05	PLASTIC	57918	A - 58
76.420.00.06	PLASTIC	55496	A - 58
76.420.00.09	SOLEN	63360	A - 14
76.420.00.11	ISO	55403	A - 72
76.420.00.12	ISO	55404	A - 72
76.420.00.13	ISO	55406	A - 72
76.420.00.14	ISO	55417	A - 72
76.420.00.15	ISO	58003	A - 74
76.420.00.16	ISO	55454	A - 74
76.420.00.17	ISO	62865	A - 74
76.420.00.18	ISO	55436	A - 74
76.420.00.19	ISO	63652	A - 74
76.420.00.20	ISO	63274	A - 74
76.420.00.21	ISO	62633	A - 74
76.420.00.22	ISO	55458	A - 74
76.420.00.23	ISO	62866	A - 74
76.420.00.24	ISO	55460	A - 74
76.420.00.25	ISO	63653	A - 74
76.420.00.26	ISO	63654	A - 74
76.420.00.27	ISO	58051	A - 73

VALVE	TYPE	ID	PAGE
76.420.00.28	ISO	62153	A - 73
76.420.00.29	ISO	58052	A - 73
76.420.00.30	ISO	62867	A - 73
76.420.00.31	ISO	55468	A - 75
76.420.00.32	ISO	55473	A - 75
76.420.00.33	ISO	58054	A - 75
76.420.00.34	SOLEN	58056	A - 15
76.420.00.35	SOLEN	63275	A - 15
76.420.00.36	SOLEN	58061	A - 15
76.420.00.36	PLASTIC	58061	A - 58
76.420.00.37	SOLEN	63276	A - 15
76.420.00.37	PLASTIC	63276	A - 58
76.420.00.38	ISO	62871	A - 75
76.420.00.39	ISO	62872	A - 75
76.420.00.46	SOLEN	68312	A - 13
76.420.00.47	SOLEN	78773	A - 13
76.420.00.48	SOLEN	78774	A - 13
76.420.00.49	SOLEN	78775	A - 13
76.420.00.54	MECH	81699	A - 21
76.420.00.54	MECH	81699	A - 34
76.420.00.55	MECH	131682	A - 28
76.420.00.55	MECH	131682	A - 40
76.420.00.75	ISO	62518	A - 73
76.420.00.85	ISO	65119	A - 73
76.420.00.93	ISO	78782	A - 72
76.420.00.98	PLASTIC	78783	A - 58
76.420.00.99	PLASTIC	78784	A - 58
76.420.01.xx (02-12)	SOLEN	-	A - 14
76.420.02.xx (01-12)	SOLEN	-	A - 13
76.420.03.01	DIRECTIONAL	63576	A - 78
76.420.03.03	DIRECTIONAL	63929	A - 78
76.420.03.05	DIRECTIONAL	78787	A - 78
76.440.00.10	SOLEN	63580	A - 14
76.440.01.xx (02-12)	SOLEN	-	A - 14
76.440.02.xx (01-10)	SOLEN	-	A - 13
76.523.91.00	PLASTIC	79013	A - 60
76.524.02.00	PLASTIC	131688	A - 60
76.527.91.00	PLASTIC	78223	A - 60
76.527.92.00	PLASTIC	131689	A - 60
KE.023.71.41	PNEUM	64642	A - 47
KE.023.71.42	PNEUM	81652	A - 47
KE.023.71.47	PNEUM	126071	A - 47
PAP.00.N000	PLUG-IN	-	A - 89
PAP.00.Y024	PLUG-IN	-	A - 89
PAP.00.Y115	PLUG-IN	-	A - 89
PAP.00.Y230	PLUG-IN	-	A - 89
PBP.00.N000	PLUG-IN	-	A - 90
PBP.00.Y024	PLUG-IN	-	A - 90
PBP.00.Y115	PLUG-IN	-	A - 90
PBP.00.Y230	PLUG-IN	-	A - 90



BSG Kuhnke Solutions S.r.l.

Via R. Colpi, 38
35010 Limena (PD) - Italy

Tel. +39 049 86 57 711
Fax +39 049 88 41 571

sales@bsgkuhnkesolutions.com
www.bsgkuhnkesolutions.com